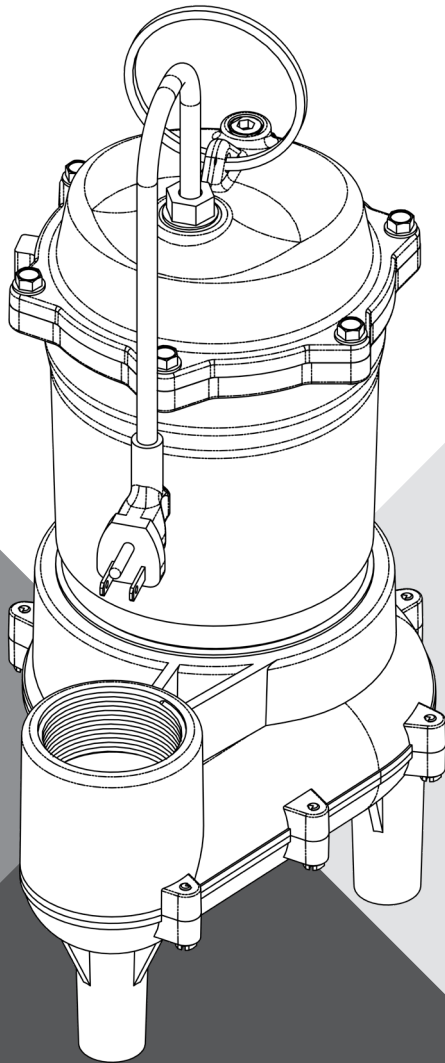




# SEWAGE PUMP MODEL CMV5



## INSTALLATION AND OPERATION MANUAL

[pentair.com](http://pentair.com)

# TABLE OF CONTENTS

---

## INTRODUCTION

Safety Instructions.....	3
Installation.....	4
Repair Parts Index .....	6
Troubleshooting .....	7
Warranty.....	8

# SAFETY INSTRUCTIONS

---

**SAVE THESE INSTRUCTIONS:** This manual contains important instructions that should be followed during installation, operation, and maintenance of the product. Carefully read and follow all safety instructions in this manual.

## IMPORTANT SAFETY TERMINOLOGY

**⚠ DANGER** indicates a hazard which, if not avoided, *will* result in death or serious injury.

**⚠ WARNING** indicates a hazard which, if not avoided, *can* result in death or serious injury.

**⚠ CAUTION** indicates a hazard which, if not avoided, *can* or *may* result in minor or moderate injury.

**NOTE** addresses practices not related to personal injury.

## CALIFORNIA PROPOSITION 65 WARNING

**⚠ WARNING** This product and related accessories contain chemicals known to the State of California to cause cancer, birth defects or other reproductive harm.

## SPEC CHART

MODEL #	HP	MAX GPM	MAX LIFT (FT)	DISCHARGE	SOLIDS HANDLING	VOLTAGE	FLA	PHASE	CORD LENGTH	FLOAT SWITCH
CMV5A-11	1/2	87	19	2"	2"	115	12	1	20'	PT
CMV5M-11										M

# INSTALLATION

---

## IMPORTANT INSTRUCTIONS BEFORE INSTALLATION

Failure to follow these instructions may cause serious bodily injury and/or property damage.

**⚠ WARNING** Risk of electrical shock – This pump is supplied with a grounding conductor and grounding type attachment plug. To reduce the risk of electrical shock, connect only to a properly grounded grounding type receptacle. This pump has not been investigated for use in swimming pool/fountain areas. Read instructions before installing pump.

1. Before installing or servicing your pump, **BE CERTAIN** pump power source is disconnected.
2. Installation and electrical wiring must adhere to state and local codes and must be complete before priming pump. Check appropriate community agencies, or contact local electrical and pump professionals.
3. **CALL AN ELECTRICIAN WHEN IN DOUBT.** Pump should be connected to a separate 15 amp circuit breaker or 15 amp fuse block. Plugging into existing outlets may cause low voltage at motor, causing blown fuses, tripping of motor overload, or burned-out motor.
4. A permanent grounded connection from the pump to the grounding bar at the service panel is mandatory. Pump comes with a grounding conductor and a grounding type attachment plug. Do not connect pump to a power supply until permanently grounded. For maximum safety, ground pump to a circuit equipped with a fault interrupter device.
5. Voltage of power supply must match the voltage of the pump.
6. Before installing pump, clear basin of any water, debris, or sediment. **WARNING:** Basin must be vented in accordance with local plumbing codes. Myers sewage pumps are not designed for and CANNOT be installed in locations classified as hazardous in the National Electric Code, ANSI/NFPA 70.
7. The basin should be 18" in diameter and made of plastic, fiberglass, or concrete. It must be equipped with a gasketed, properly vented cover. Consult local plumbing codes for correct vent size.
8. The following may cause severe damage to pump and will void warranty:
  - ◆ Using an extension cord.
  - ◆ Cutting off the ground pin or using an adapter fitting.
  - ◆ Working on pump or switch while plugged in.
  - ◆ Removing motor housing, unscrewing impeller, or otherwise removing impeller seal.

- ◆ Running the pump continuously.
- ◆ Pumping chemicals or corrosive liquids.
- ◆ Pumping gasoline or other flammable liquids.

## INSTALLATION

Be certain basin is clean and all power to pump is shut off.

General materials needed:

- ◆ One can PVC cement (read instructions carefully)
  - ◆ Three 2" male PVC adapters.
  - ◆ Enough 2" rigid PVC pipe and couplings to reach from bottom of sump basin to discharge.
  - ◆ One 2" PVC elbow.
  - ◆ One 2" free-flow check valve #CV-200P.
  - ◆ One shut-off gate.
  - ◆ Basin with gasketed cover and vent.
  - ◆ Tools needed for all pump installations:
    - ◆ Pipe wrench
    - ◆ Slot screwdriver
    - ◆ 24-tooth hacksaw, knife or round file
1. Thread one 2" male PVC adapter into pump discharge opening. **NOTE:** DO NOT use thread compound or overtighten adapter or discharge pipe. Cement enough PVC pipe and couplings onto adapter to reach out of sump basin.
  2. Lower pump into sump basin as near to the center as possible. Cement 2" PVC elbow onto open end of discharge pipe. Cement a section of 2" PVC pipe to open end of elbow.
  3. Fasten check valve onto open end of discharge pipe. Thread a 2" male PVC adapter into either side of 2" shut-off gate valve.
  4. Fasten open end of check valve onto a section of PVC pipe. Cement open end of PVC pipe onto 2" shut-off gate valve with male PVC adapters.
  5. Cement final section of PVC pipe to open end of shut-off gate valve. Fill sump basin with water and plug in pump. Pump should turn on at approximately 15" water level. Perform several ON-OFF cycles to assure satisfactory operation.
  6. Install gasketed cover and vent onto basin.

# INSTALLATION

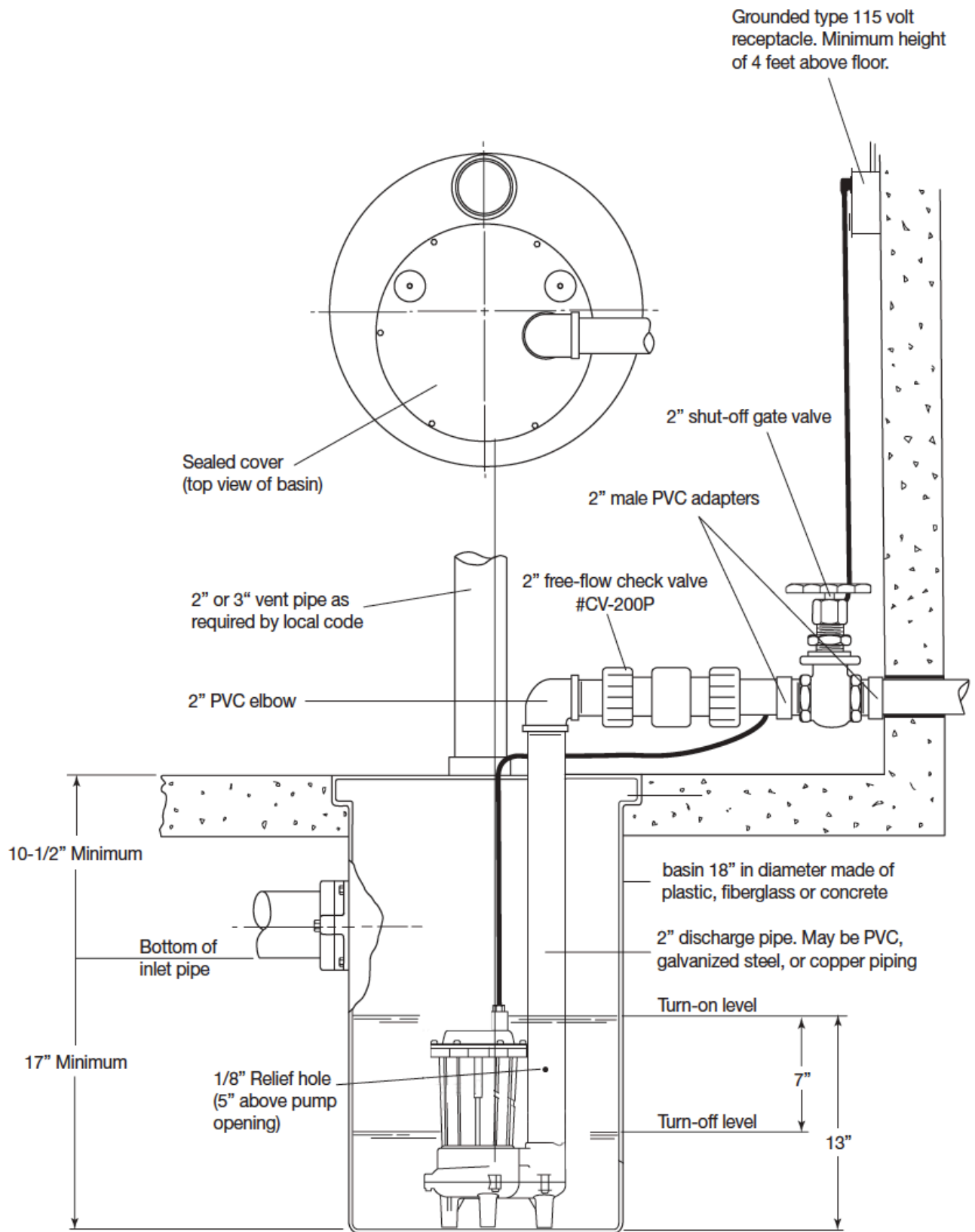
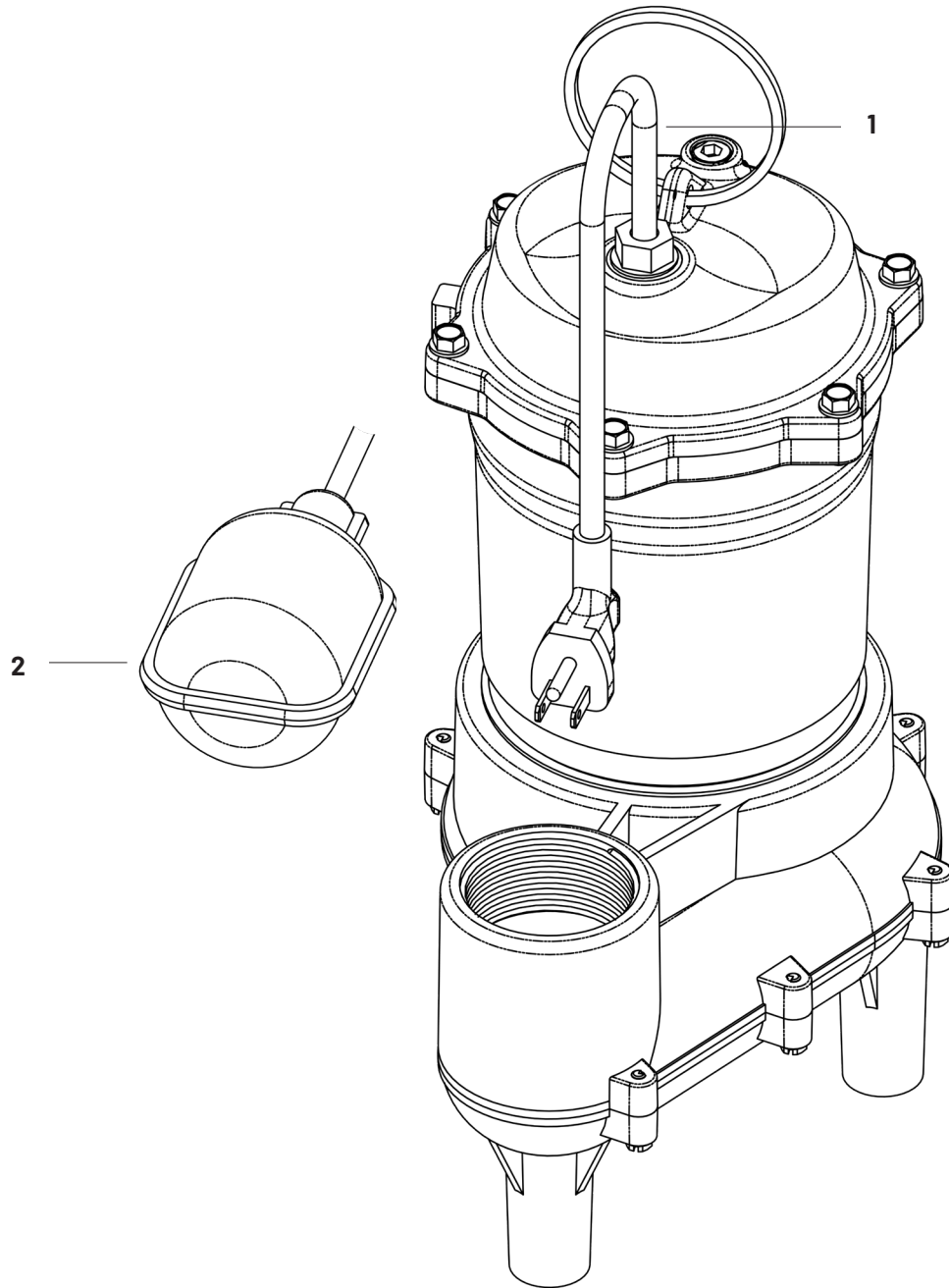


Figure 1: Typical Installation

# REPAIR PARTS INDEX



## REPAIR PARTS LIST

REF. NO.	DESCRIPTION	PART NUMBER	QUANTITY
1	Electrical Cord, 20ft.	PW117-122-TSE	1
2	Tethered Piggyback Float Switch	PS17-111	1

# TROUBLESHOOTING

## CAUTION: SHUT OFF POWER TO PUMP

PROBLEM	POSSIBLE CAUSES
Pump does not run or hums.	<ul style="list-style-type: none"> <li>◆ Line circuit breaker is off, or fuse is blown or loose.</li> <li>◆ Water level in sump has not reached turn-on level as indicated in installation drawing.</li> <li>◆ Pump cord is not making contact in receptacle.</li> <li>◆ Float is stuck. It should operate freely in basin.</li> <li>◆ If all the above are OK, then the motor winding may be open.</li> </ul>
Pump runs but does not deliver water.	<ul style="list-style-type: none"> <li>◆ Check valve is installed backward. Arrow on valve should point in direction of flow.</li> <li>◆ Discharge shut-off valve (if used) may be closed.</li> <li>◆ Pump is air-locked. Start and stop several times by plugging and unplugging cord. Check for clogged vent hole in pump case.</li> <li>◆ Impeller or volute openings are fully or partially clogged. Remove pump and clean.</li> <li>◆ Inlet holes in pump base are clogged. Remove pump and clean the openings.</li> <li>◆ Vertical pumping distance is too high. Reduce distance or resize pump.</li> </ul>
Pump runs and pumps out sump, but does not stop.	<ul style="list-style-type: none"> <li>◆ Float is stuck in up position. Be sure float operates freely in basin.</li> <li>◆ Defective float switch. Replace float switch.</li> </ul>
Pump runs but delivers only a small amount of water.	<ul style="list-style-type: none"> <li>◆ Pump is air-locked. Start and stop several times by plugging and unplugging cord. Check for clogged vent hole in pump case.</li> <li>◆ Vertical pumping distance is too high. Reduce distance or resize pump.</li> <li>◆ Inlet holes in pump base are clogged. Remove pump and clean the openings.</li> <li>◆ Impeller or volute openings are fully or partially clogged. Remove pump and clean.</li> <li>◆ Pump impeller is partially clogged with foreign matter, causing motor to run slow and overload. Remove pump and clean.</li> </ul>
Fuse blows or circuit breaker trips when pump starts.	<ul style="list-style-type: none"> <li>◆ Pump impeller is partially clogged with foreign matter, causing motor to run slow and overload. Remove pump and clean.</li> <li>◆ Motor stator may be defective.</li> <li>◆ Fuse size or circuit breaker may be too small. Must be 15 amps.</li> <li>◆ Impeller or volute openings are fully or partially clogged. Remove pump and clean.</li> </ul>
Motor runs for a short time then stops.	<ul style="list-style-type: none"> <li>◆ Inlet holes in pump base are clogged. Remove pump and clean the openings.</li> <li>◆ Pump impeller is partially clogged with foreign matter, causing motor to run slow and overload. Remove pump and clean.</li> <li>◆ Motor stator may be defective.</li> <li>◆ Impeller or volute openings are fully or partially clogged. Remove pump and clean.</li> </ul>

# WARRANTY

## Limited Warranty

Myers warrants to the original consumer purchaser ("Purchaser" or "You") of the products listed below, that they will be free from defects in material and workmanship for the Warranty Period shown below.

<b>Product</b>	<b>Warranty Period</b> whichever occurs first:
Jet pumps, small centrifugal pumps, submersible pumps and related accessories	12 months from date of original installation, or 18 months from date of manufacture
Fibrewound Tanks	5 years from date of original installation
Steel Pressure Tanks	5 years from date of original installation
Sump/Sewage/Effluent/Utility/Battery Backup Products	36 months from date of manufacture
Wastewater Solids Handling Pumps	12 months from date of shipment from factory or 18 months from date of manufacture

Our warranty applies **only** where such products are used in compliance with the requirements of the applicable product catalog and/or manuals. For additional information, please refer to the applicable standard limited warranty featured in the product manual.

Our warranty will **not** apply to any product that, in our sole judgment, has been subject to negligence, misapplication, improper installation, or improper maintenance. Without limiting the foregoing, operating a three phase motor with single phase power through a phase converter will void the warranty. Note also that three phase motors must be protected by three-leg, ambient compensated, extra-quick trip overload relays of the recommended size or the warranty is void.

Your only remedy, and MYERS's only duty, is that MYERS repair or replace defective products (at MYERS's choice). You must pay all labor and shipping charges associated with this warranty and must request warranty service through the installing dealer as soon as a problem is discovered. No request for service will be accepted if received after the Warranty Period has expired. This warranty is not transferable.

MYERS SHALL NOT BE LIABLE FOR ANY CONSEQUENTIAL, INCIDENTAL, OR CONTINGENT DAMAGES WHATSOEVER.

THE FOREGOING LIMITED WARRANTIES ARE EXCLUSIVE AND IN LIEU OF ALL OTHER EXPRESS AND IMPLIED WARRANTIES, INCLUDING BUT NOT LIMITED TO IMPLIED WARRANTIES OF MERCHANTABILITY AND FITNESS FOR A PARTICULAR PURPOSE. THE FOREGOING LIMITED WARRANTIES SHALL NOT EXTEND BEYOND THE DURATION PROVIDED HEREIN.

Some states do not allow the exclusion or limitation of incidental or consequential damages or limitations on the duration of an implied warranty, so the above limitations or exclusions may not apply to You. This warranty gives You specific legal rights and You may also have other rights which vary from state to state.

This Limited Warranty is effective January 1, 2021 and replaces all undated warranties and warranties dated before January 1, 2021.

**PENTAIR MYERS**  
**293 Wright Street, Delavan, WI 53115**  
**Phone: 888-987-8677 • Fax: 800-426-9446 • [www.femyers.com](http://www.femyers.com)**  
**In Canada: 490 Pinebush Road, Unit 4, Cambridge, Ontario N1T 0A5**  
**Phone: 800-363-7867 • Fax: 888-606-5484**



AMERICAS  
1101 Myers Parkway  
Ashland, Ohio 44805  
PH: 855-274-8947

CANADA  
490 Pinebush Road,  
Unit 4  
Cambridge, Ontario,  
Canada N1T 0A5  
PH: 800-363-7867

[pentair.com](http://pentair.com)