

# MYERS® SSM331 SERIES

**DISCONTINUED. FOR REFERENCE ONLY.**

The Myers SSM331 series pumps are engineered for performance in a variety of demanding drainage applications. The heavy-duty cast iron housing and oil-filled motor maximize heat dissipation for trouble-free operation and years of reliable service. Models available with tethered or vertical switch.



## APPLICATIONS

Basement sumps, dewatering, light effluent

## SPECIFICATIONS

**Capacities** – 31 GPM (117 LPM)  
**Shut-off Head** – 23' (7 m)  
**Operation:** On – 9.94" (252 mm)  
 Off – 4.06" (103 mm)  
**Solids Handling** – 1/2" (12.7 mm)  
**Liquids Handling** – Drainage effluent  
**Intermittent Liquid Temperature** – Up to 140°F (60°C)  
**Motor/Electrical Data** – 1/3 HP, shaded pole, 115V, 9A, 1Ø, 60Hz  
**Acceptable pH Range** – 5-9  
**Shaft Seal** – Type 11A, carbon and ceramic  
**Housing** – Heavy cast iron  
**Power Cord** – 10' and 20', 16/3, SJTW, SJTW-A  
**Discharge, NPT** – 1-1/2"  
**Min. Sump Diameter** – 12" (304.8 mm)

## FEATURES

### Rugged and Reliable

Durable oil-filled motor for continuous bearing lubrication and maximum heat dissipation

### Versatile Performance

Designed for demanding drainage applications, light septic tank effluent and basement sump

### Heavy-duty Design

Rugged cast iron housing and volute aid in heat dissipation and stand tough in harsh conditions

### Choice of Switch Types

Available in manual, tethered automatic\*, or vertical automatic\*

### Ease of Flow

Recessed vortex impeller for free flow-flow passage solids and liquid

### Overload Protection

Shaded pole motor eliminates failure-prone starting switches and relays

### Heat Safety

Heat sensor protection with automatic reset when motor cools to a safe operating temperature

## ORDERING INFORMATION

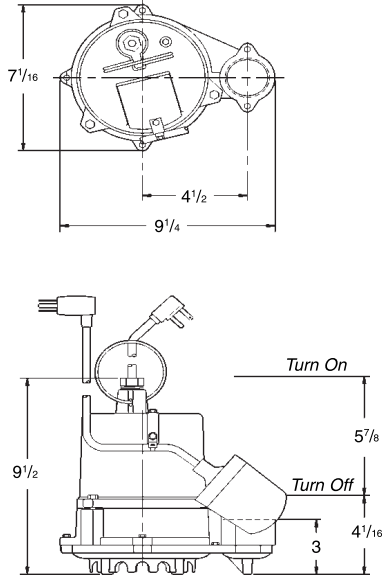
Catalog Number	HP	Volts	Phase/Cycles	Amps	Discharge Size	Switch Type	Cord Length	Approx. Wt. Lbs.
SSM331M1C	1/3	115	1/60	9	1-1/2"	Manual	20'	28
SSM331P-1	1/3	115	1/60	9	1-1/2"	Teth/Auto*	10'	28
SSM331PC-1	1/3	115	1/60	9	1-1/2"	Teth/Auto*	20'	28
SSM331PV1	1/3	115	1/60	9	1-1/2"	Vert/Auto*	10'	28
SSM331PV1C	1/3	115	1/60	9	1-1/2"	Vert/Auto*	20'	28

\*Piggyback

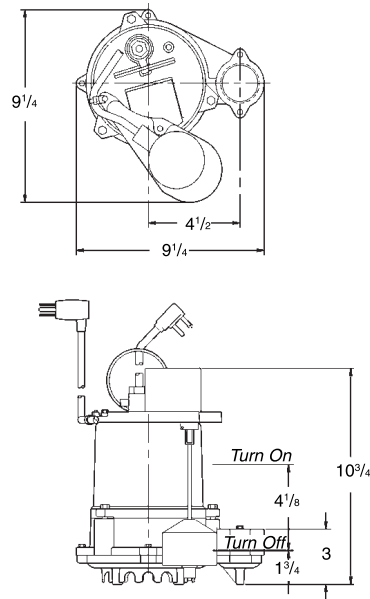
# MYERS® SSM331 SERIES

## DIMENSIONS

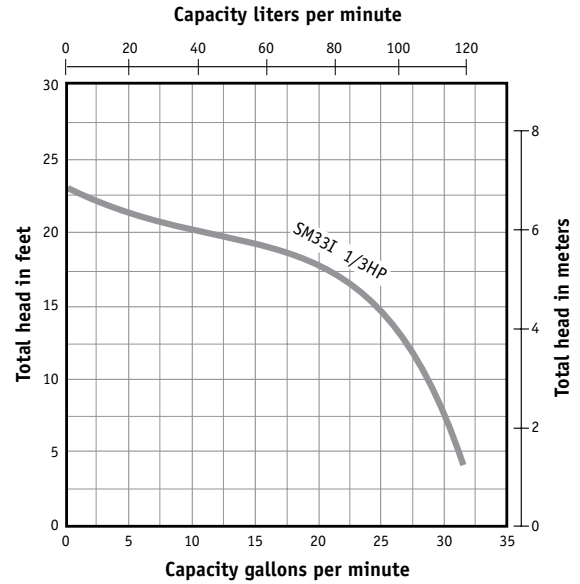
### Tethered Automatic



### Vertical Automatic



## PUMP PERFORMANCE



USA  
293 WRIGHT STREET, DELAVAN, WI 53115 WWW.FEMYERS.COM  
PH: 888-987-8677 ORDERS FAX: 800-426-9446

CANADA  
490 PINEBUSH ROAD, UNIT 4, CAMBRIDGE, ONTARIO N1T 0A5  
PH: 800-363-7867 ORDERS FAX: 888-606-5484

Because we are continuously improving our products and services, Pentair reserves the right to change specifications without prior notice.