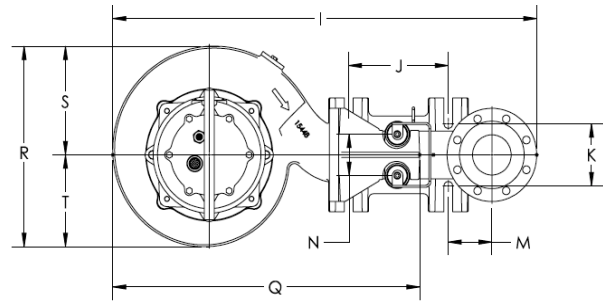
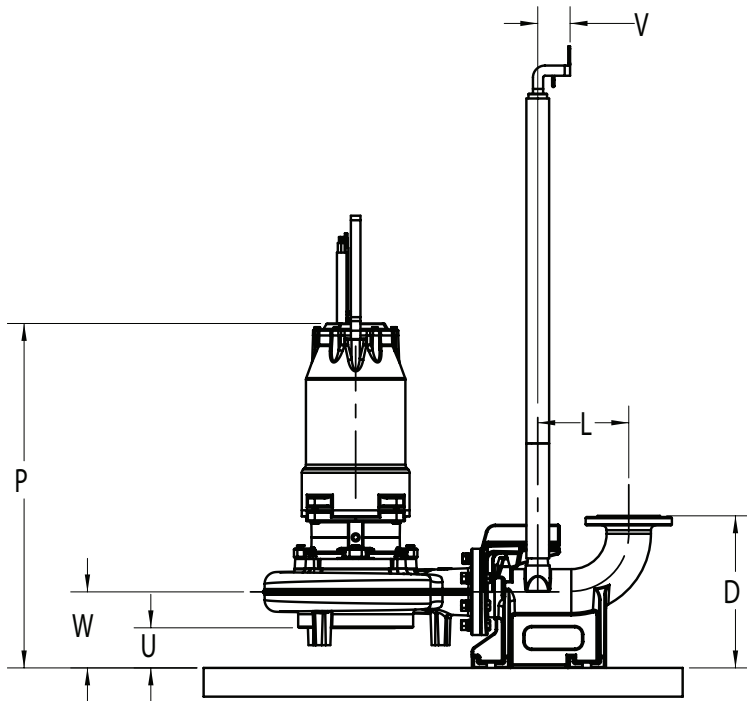


4" MTM(X) RAIL SYSTEM

4HC MODEL PUMP



ITEM	DIMENSION
D	15-7/8"
I	42-3/4"
J	10"
K	6"
L	9-1/2"
M	4-3/8"
N	4"
P	36"
Q	31"
R	19-3/8"
S	10-1/2"
T	8-7/8"
U	4-3/16"
V	3-3/8"
W	7-15/16"

All dimensions in inches.

1101 Myers Parkway
Ashland, OH 44805
Ph: 855.274.8948
Fx: 800.426.9446

490 Pinebush Rd., Unit 4
Cambridge, Ontario N1T 0A5, Canada
Ph: 800.363.7867
Fx: 888.606.5484

pentair.com/myers