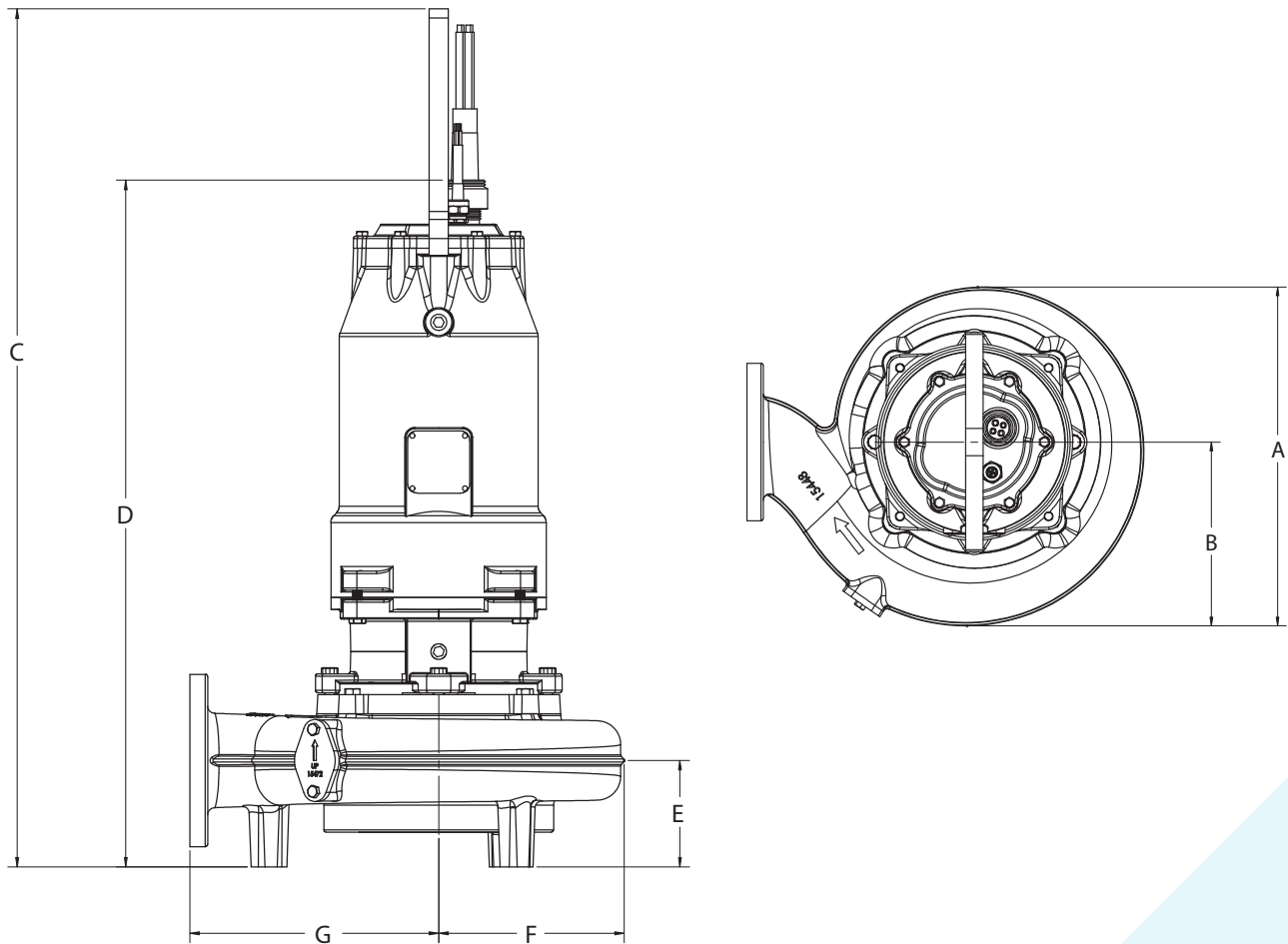


SUBMERSIBLE SOLIDS HANDLING PUMPS

MNG4HD(X), MNG6MD(X) SERIES



| MODEL | A | B | C | D | E | F | G |
|-----------|-------|-------|-------|-------|------|------|-------|
| MNG4HD(X) | 18.64 | 9.90 | 54.10 | 42.50 | 6.41 | 9.32 | 13.00 |
| MNG6MD(X) | 19.50 | 10.86 | 54.01 | 42.47 | 6.00 | 9.75 | 13.00 |

All measurements in inches.

1101 Myers Parkway
Ashland, OH 44805
Ph: 855.274.8948
Fx: 800.426.9446

490 Pinebush Rd., Unit 4
Cambridge, Ontario N1T 0A5, Canada
Ph: 800.363.7867
Fx: 888.606.5484

pentair.com/myers