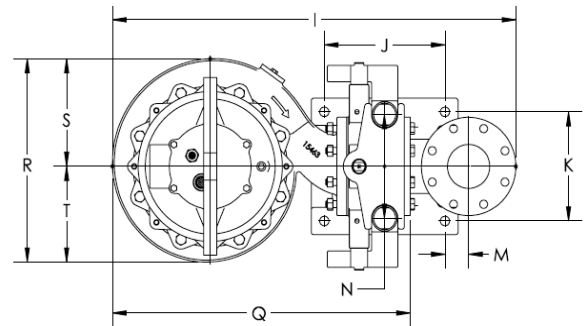
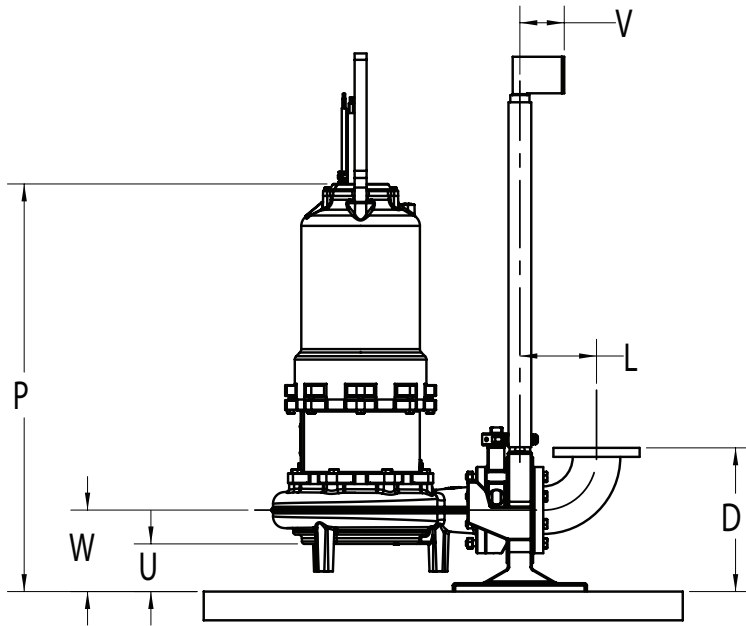


# TL(X)44HH RAIL SYSTEM

## 4HD MODEL PUMP



ITEM	DIMENSION
D	15"
I	38-1/2"
J	11-1/2"
K	10"
L	8"
M	2-1/4"
N	9-1/2"
P	42-9/16"
Q	27-13/16"
R	18-5/8"
S	9-7/8"
T	8-3/4"
U	5"
V	4-5/8"
W	8-1/2"

All dimensions in inches.

1101 Myers Parkway  
Ashland, OH 44805  
Ph: 855.274.8947  
Fx: 800.426.9446

490 Pinebush Rd., Unit 4  
Cambridge, Ontario N1T 0A5, Canada  
Ph: 800.363.7867  
Fx: 888.606.5484

[pentair.com/hydromatic](http://pentair.com/hydromatic)