

FAIRBANKS FIRE PUMPS

JOCKEY PUMP CONTROLLERS

GENERAL APPLICATION

Jockey Pump Controllers are used on small motor-driven jockey or make-up pumps in conjunction with main fire pumps, to compensate for minor leaks in a fire protection system. This saves wear and tear on the main fire pump caused by unnecessary frequent operation.

Since these controllers are not specified by NFPA regulations, they are built to NEMA industrial standards.

FEATURES AND SELECTIONS

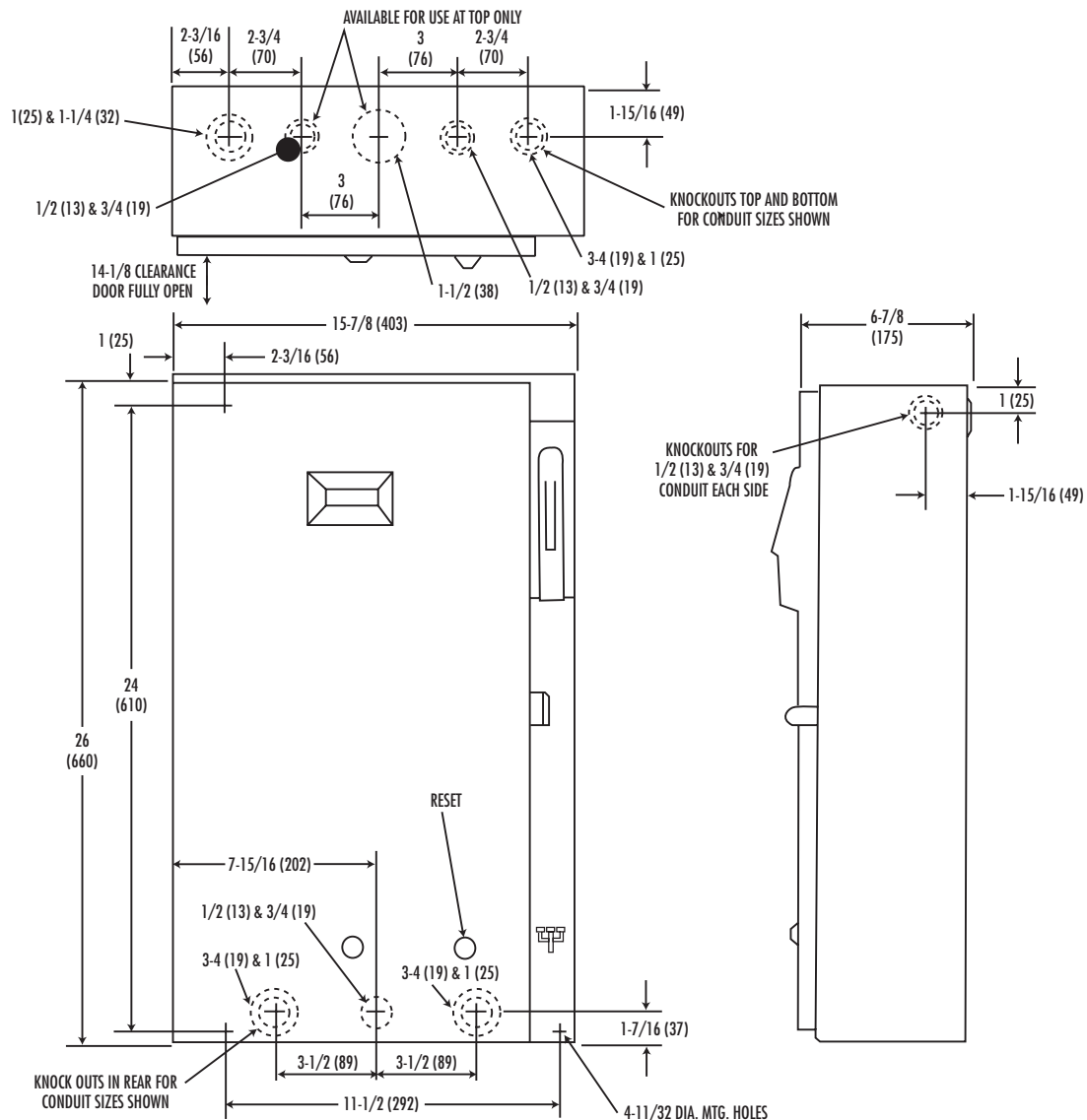
Jockey Pump Controllers offer the convenience of dependable factory-wired and tested units, all in one enclosure. Providing automatic type operation, the pressure switch is identical to that used in the Main Fire Pump Controller with the start point set about five pounds higher to cause the jockey pump to operate

first. In the event of fire, the system pressure will drop further to start the main pump.

Jockey controllers are available only for across-the-line starting. Manual operation by a "Hands-Off-Automatic" selector switch located in the front, is independent of the pressure switch system.

Selection criteria include the motor horsepower, and voltage and frequency of the system.

In addition to the devices mentioned, the control contains a fusible 3-pole disconnect switch, magnetic motor contactor and thermal overload relays with external reset. For voltages above 480 volts, a control transformer is supplied. The controller is furnished in a sturdy wall-mounted enclosure with hinged door. An optional running period timer is available.



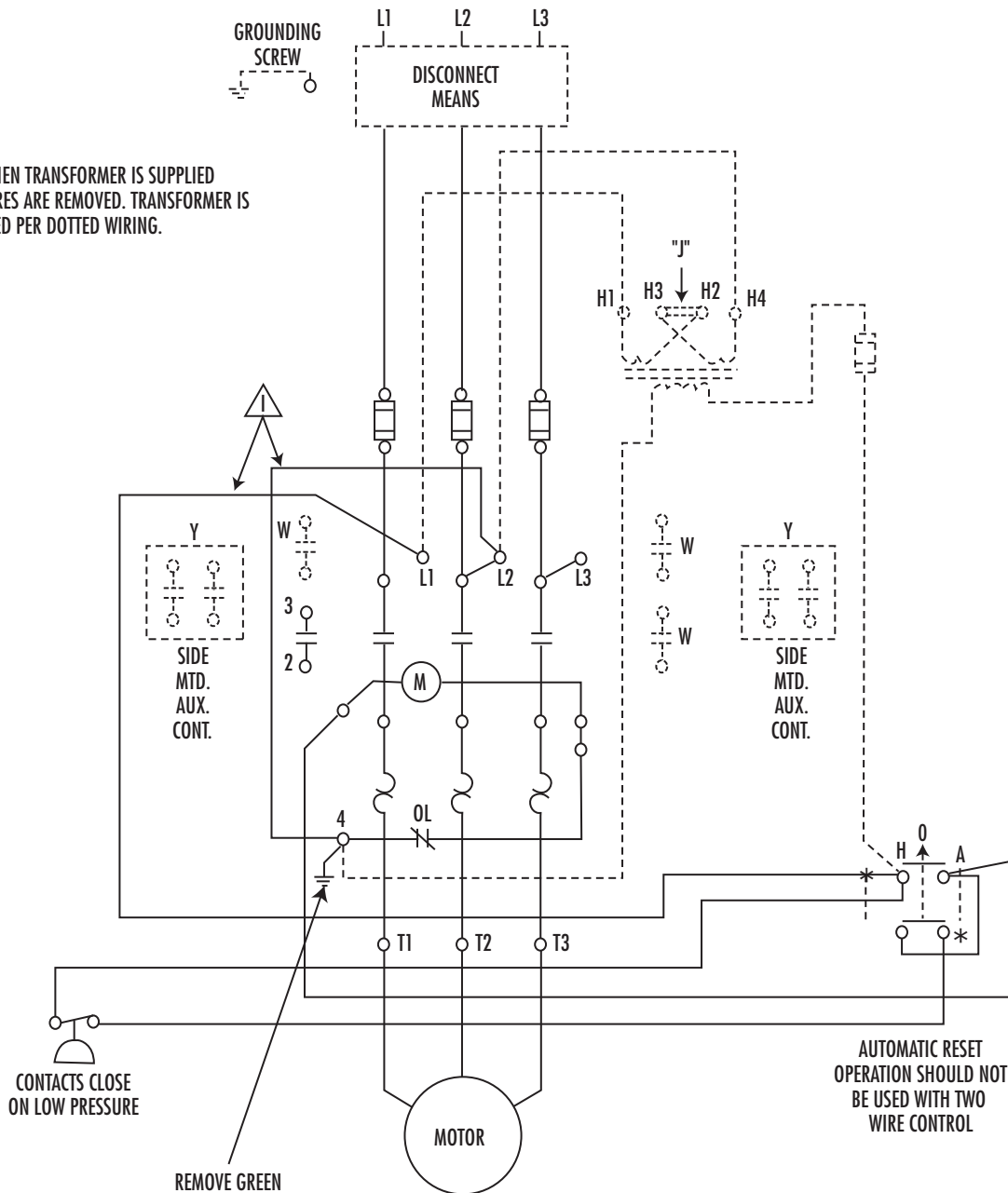
THIS PAGE LEFT INTENTIONALLY BLANK

JOCKEY PUMP CONTROLLER
WITHOUT RUNNING PERIOD TIMER

Date **April 2006**

Supersedes Section 936 Page 301
Dated March 1982

⚠ WHEN TRANSFORMER IS SUPPLIED THESE WIRES ARE REMOVED. TRANSFORMER IS CONNECTED PER DOTTED WIRING.



DUAL VOLTAGE TRANSFORMER IS SHIPPED AS SHOWN CONNECTED FOR HIGHER VOLTAGE. RECONNECT JUMPERS "J" PER TABLE FOR LOWER VOLTAGE.

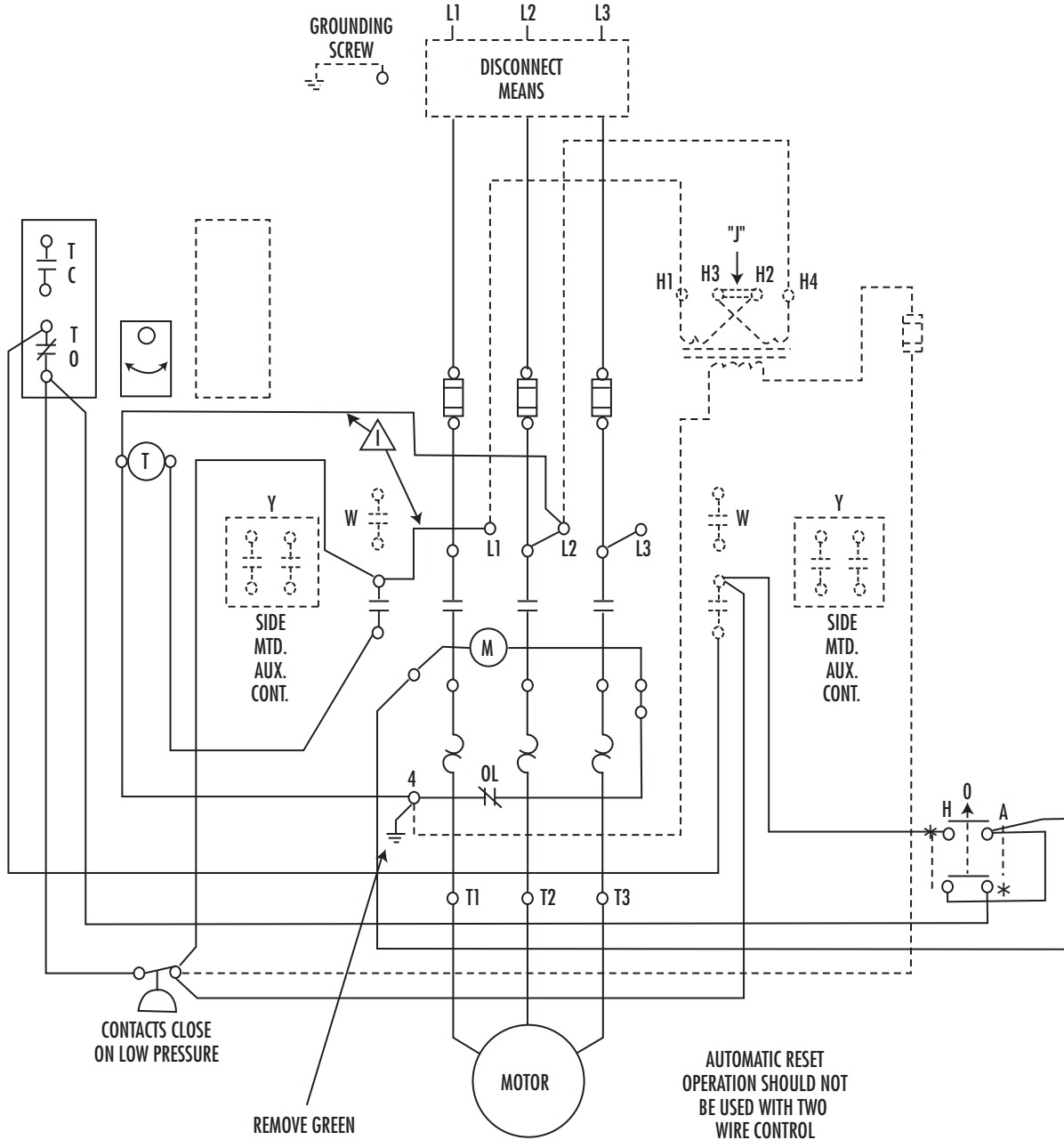
VOLTAGE	CONNECT	L1	L2
230	H1 TO H3 H2 TO H4	H1	H4
460	H2 TO H3	H1	H4
FOR SINGLE PRIMARY TRANSFER		H1	H2

Date **April 2006**

Supersedes Section 936 Page 302
Dated March 1982

**JOCKEY PUMP CONTROLLER
WITH RUNNING PERIOD TIMER**

**⚠ WHEN TRANSFORMER IS SUPPLIED
THESE WIRES ARE REMOVED. TRANSFORMER IS
CONNECTED PER DOTTED WIRING.**



DUAL VOLTAGE TRANSFORMER IS SHIPPED AS SHOWN CONNECTED FOR HIGHER VOLTAGE. RECONNECT JUMPERS "J" PER TABLE FOR LOWER VOLTAGE.

VOLTAGE	CONNECT	L1	L2
230	H1 TO H3	H1	H4
	H2 TO H4	H1	H4
460	H2 TO H3	H1	H4
FOR SINGLE PRIMARY TRANSFER		H1	H2