



# SINGLE AND MULTISTAGE SPLIT CASE FIRE PUMPS

MODELS: 1800F, 1900F, 2800F, 5800F, AND 5900F

## DIMENSION DATA GUIDE

[pentair.com/fairbanks-nijhuis](https://pentair.com/fairbanks-nijhuis)

NOTE! To the installer: Please make sure you provide this manual to the owner of the equipment or to the responsible party who maintains the system.

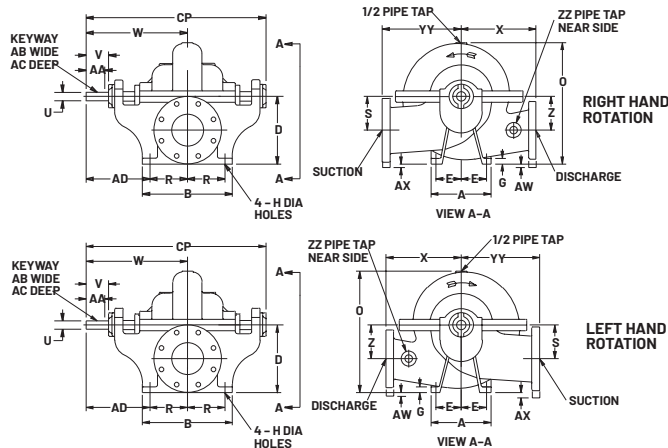
©2023 Pentair. All Rights Reserved.

# TABLE OF CONTENTS

---

DESCRIPTION	PAGE NO.
MODEL 1800F SINGLE STAGE FIRE PUMPS .....	3
MODEL 1900F MULTI-STAGE FIRE PUMPS .....	5
MODEL 2800F SINGLE STAGE FIRE PUMPS .....	6
MODEL 5800F SINGLE STAGE FIRE PUMPS .....	7
MODEL 5900F MULTI-STAGE FIRE PUMPS .....	8
MODEL 1800F ON STANDARD STEEL BASE .....	9
MODEL 1900F ON STANDARD STEEL BASE .....	10
MODEL 2800F ON STANDARD STEEL BASE .....	11
MODEL 5800F ON STANDARD STEEL BASE .....	12
MODEL 5900F ON STANDARD STEEL BASE .....	13
MODEL 1800F ON STEEL DRIP RIM BASE .....	14
MODEL 1900F ON STEEL DRIP RIM BASE .....	15
MODEL 2800F ON STEEL DRIP RIM BASE .....	16
MODEL 5800F ON STEEL DRIP RIM BASE .....	17
MODEL 5900F ON STEEL DRIP RIM BASE .....	18

# MODEL 1800F SINGLE STAGE FIRE PUMPS



PUMP SIZE			SUCTION	POWER SERIES	A	B	D	E	G	H	O	R	S	U	V	W	X	Z	AA	AB	AC	AD	AW	AX	CP	YY	ZZ
DISCH	MODEL	CASE BORE																									
2-1/2	2.5"1823BF	10B	3	2	8 (203)	10 (254)	8 (203)	3-1/2 (89)	3/4 (19)	5/8 (16)	16 (406)	4 (102)	4 (102)	1-1/8 (29)	2-7/8 (73)	13-1/2 (343)	9-3/4 (248)	4 (102)	2-1/8 (54)	1/4 (6)	1/8 (3)	9-1/2 (241)	-	-	24 (610)	10 (254)	
3	3"1824F -AF	10	4	2	8 (203)	10 (254)	9 (229)	3-1/2 (89)	3/4 (19)	5/8 (16)	16-1/4 (413)	4 (102)	4-1/2 (114)	1-1/8 (29)	2-7/8 (73)	13-1/2 (343)	10 (254)	4-1/2 (114)	2-1/8 (54)	1/4 (6)	1/8 (3)	9-1/2 (241)	-	1/2 (13)	24 (610)	11 (279)	
4	4"1823AF -CF	11	5	3	10 (254)	12 (305)	10 (254)	4-1/4 (108)	7/8 (22)	3/4 (19)	18-3/8 (467)	5 (127)	5 (127)	1-3/8 (35)	3 (76)	14-1/2 (368)	11-1/4 (286)	5 (127)	2-3/8 (60)	3/8 (10)	3/16 (5)	9-1/2 (241)	-	1/2 (13)	26 (660)	12-3/4 (324)	
4	4"1823DF -EF	11	5	3	10 (254)	12 (305)	10 (254)	4-1/4 (108)	7/8 (22)	3/4 (19)	18-3/8 (467)	5 (127)	5 (127)	1-3/8 (35)	3 (76)	14-1/2 (368)	12 (305)	5 (127)	2-3/8 (60)	3/8 (10)	3/16 (5)	9-1/2 (241)	-	1/2 (13)	26 (660)	12-3/4 (324)	
4	4"1824F	15	5	3	10 (254)	12 (305)	11 (279)	4-1/4 (108)	7/8 (22)	3/4 (19)	21-1/8 (537)	5 (127)	5-1/2 (140)	1-3/8 (35)	3 (76)	14-1/2 (368)	13 (330)	5-1/2 (140)	2-3/8 (60)	3/8 (10)	3/16 (5)	9-1/2 (241)	-	-	26 (660)	14 (356)	
5	5"1822BF -CF/-DF	11	6	4	10 (254)	12 (305)	11 (279)	4-1/4 (108)	7/8 (22)	3/4 (19)	19-3/4 (502)	5 (127)	5-1/2 (140)	1-1/2 (38)	3-1/2 (89)	16 (406)	11-1/4 (286)	5-1/2 (140)	2-7/8 (73)	3/8 (10)	3/16 (5)	11 (279)	-	3/4 (19)	28-1/2 (724)	13-1/4 (337)	
5	5"1823F -AF, -BF	15	6	4	10 (254)	12 (305)	12-1/2 (318)	4-1/4 (108)	7/8 (22)	3/4 (19)	22-1/2 (572)	5 (127)	6-1/4 (159)	1-1/2 (38)	3-1/2 (89)	16 (406)	13-1/4 (337)	6-1/4 (159)	2-7/8 (73)	3/8 (10)	3/16 (5)	11 (279)	-	-	28-1/2 (724)	15 (381)	
5	5"1824F	17	6	4	10 (254)	12 (305)	12-1/2 (318)	4-1/4 (108)	7/8 (22)	3/4 (19)	22-1/2 (572)	5 (127)	6-1/4 (159)	1-1/2 (38)	3-1/2 (89)	16 (406)	14 (356)	6-1/4 (159)	2-7/8 (73)	3/8 (10)	3/16 (5)	11 (279)	-	-	28-1/2 (724)	15 (381)	
6	6"1822F	11	8	4	10 (254)	12 (305)	12-1/2 (318)	4-1/4 (108)	7/8 (22)	3/4 (19)	21-7/8 (556)	6 (152)	6-1/4 (159)	1-1/2 (38)	3-1/2 (89)	16 (406)	11-3/4 (298)	6-1/4 (159)	2-7/8 (73)	3/8 (10)	3/16 (5)	11 (279)	-	1-1/4 (32)	28-1/2 (724)	14-1/2 (368)	
6	6"1822HHF -HHAF	11	8	4A	12 (305)	14-1/2 (368)	16-1/2 (419)	5 (127)	1-1/4 (32)	7/8 (22)	25-3/4 (654)	6 (152)	8-5/8 (219)	1-1/2 (38)	3-3/8 (88)	18-1/8 (460)	10 (254)	8-5/8 (219)	2-7/8 (73)	3/8 (10)	3/16 (5)	12-1/8 (308)	-	-	32-7/8 (835)	15 (381)	
6	6"1823HHF -HHAF, -HHBF	14	8	5A	12 (305)	14-1/2 (368)	16-1/2 (419)	5 (127)	1-1/4 (32)	7/8 (22)	27 (686)	6 (152)	7-1/2 (191)	1-3/4 (44)	4-1/8 (105)	20-1/2 (519)	15 (381)	7-1/2 (191)	2-7/8 (73)	3/8 (10)	3/16 (5)	14-1/2 (368)	-	-	36-3/4 (933)	17 (432)	
6	6"1823F -BF, -CF, -EF	15	8	5	12 (305)	14 (356)	13-1/2 (343)	5 (127)	1 (25)	7/8 (22)	24-7/8 (632)	6 (152)	6-3/4 (171)	1-3/4 (44)	4 (102)	18 (457)	14-1/4 (362)	6-3/4 (171)	2-7/8 (73)	3/8 (10)	3/16 (5)	12 (305)	-	3/4 (19)	32 (813)	16-3/4 (425)	
6	6"1824BF -CF, -DF	18	8	5	12 (305)	14 (356)	14-3/4 (375)	5 (127)	3/4 (19)	7/8 (22)	27-1/4 (692)	6 (152)	8 (203)	1-3/4 (44)	4 (102)	18 (457)	16 (406)	2-7/8 (73)	3/8 (10)	3/16 (5)	12 (305)	-	3/4 (19)	32 (813)	18 (457)		
6	6"1825F	20	8	5	12 (305)	14 (356)	14-3/4 (375)	5 (127)	1 (25)	7/8 (22)	27-3/4 (705)	6 (152)	8 (203)	1-3/4 (44)	4 (102)	18 (457)	15-3/4 (400)	8 (203)	2-7/8 (73)	3/8 (10)	3/16 (5)	12 (305)	-	3/4 (19)	32 (813)	18 (457)	
8	8"1822F	12	10	5	12 (305)	14 (356)	14-3/4 (375)	5 (127)	1-1/4 (32)	7/8 (22)	26-3/8 (670)	6 (152)	8 (203)	1-3/4 (44)	4 (102)	18 (457)	17 (432)	9 (229)	2-7/8 (73)	3/8 (10)	3/16 (5)	12 (305)	1-3/4 (44)	2 (51)	32 (813)	17-3/4 (451)	
8	8"1824BF -CF	17	10	5	12 (305)	14 (356)	14-3/4 (375)	5 (127)	1-1/4 (32)	7/8 (22)	27-1/8 (689)	6 (152)	8 (203)	1-3/4 (44)	4 (102)	18 (457)	17 (432)	8 (203)	2-7/8 (73)	3/8 (10)	3/16 (5)	12 (305)	1-3/4 (44)	2 (51)	32 (813)	17-3/4 (451)	
8	8"1825F -AF	21	10	6B	20 (508)	17 (432)	18-1/2 (470)	9 (229)	1 (25)	15/16 (24)	32-1/2 (826)	7-1/2 (191)	9-1/2 (241)	2-1/8 (54)	5-7/16 (138)	21-7/8 (556)	18 (457)	9-1/2 (241)	4-3/4 (121)	1/2 (13)	1/4 (6)	14-3/8 (365)	-	-	38 (965)	21 (533)	
8	8"1826F	24	12	7	15 (381)	22 (559)	26 (660)	6-1/2 (165)	1-1/8 (29)	7/8 (22)	43-7/8 (1114)	10 (254)	15 (381)	2-1/2 (64)	6-5/8 (168)	25-1/4 (641)	20 (508)	15 (381)	5 (127)	5/8 (16)	5/16 (8)	15-1/4 (387)	-	-	43-7/8 (1114)	25 (635)	
10	10"1823CF	15	12	6B	15 (381)	22 (559)	25 (635)	6-1/2 (165)	1 (25)	7/8 (22)	38-1/2 (978)	10 (254)	13-1/2 (343)	2-1/8 (54)	5-7/16 (138)	21-7/8 (556)	17 (432)	13-1/2 (343)	4-3/4 (121)	1/2 (13)	1/4 (6)	11-7/8 (301)	-	-	38 (965)	20 (508)	
10	10"1824F	18	12	6B	15 (381)	22 (559)	25 (635)	6-1/2 (165)	1 (25)	7/8 (22)	39-1/2 (1003)	10 (254)	13-1/2 (343)	2-1/8 (54)	5-7/16 (138)	21-7/8 (556)	18 (457)	13-1/2 (343)	4-3/4 (121)	1/2 (13)	1/4 (6)	11-7/8 (301)	-	-	38 (965)	22 (559)	
10	10"1824DF	18D	12	7A	15 (381)	22 (559)	25 (635)	6-1/2 (165)	1-1/4 (32)	7/8 (22)	40-1/2 (1029)	10 (254)	12-1/4 (311)	2-1/8 (54)	5 (127)	24-1/4 (616)	20 (508)	12-1/4 (311)	6-5/8 (168)	1/2 (13)	1/4 (6)	14-1/4 (362)	-	-	43 (1092)	24 (610)	
12	12"1824AF	18	14	7	15 (381)	22 (559)	24 (610)	6-1/2 (165)	1 (25)	7/8 (22)	40-1/8 (1019)	10 (254)	15 (381)	2-1/2 (64)	6-5/8 (168)	25-1/4 (641)	18 (457)	15 (381)	5 (127)	5/8 (16)	5/16 (8)	15-1/4 (387)	-	-	43-7/8 (1114)	23 (584)	

**NOTES:**

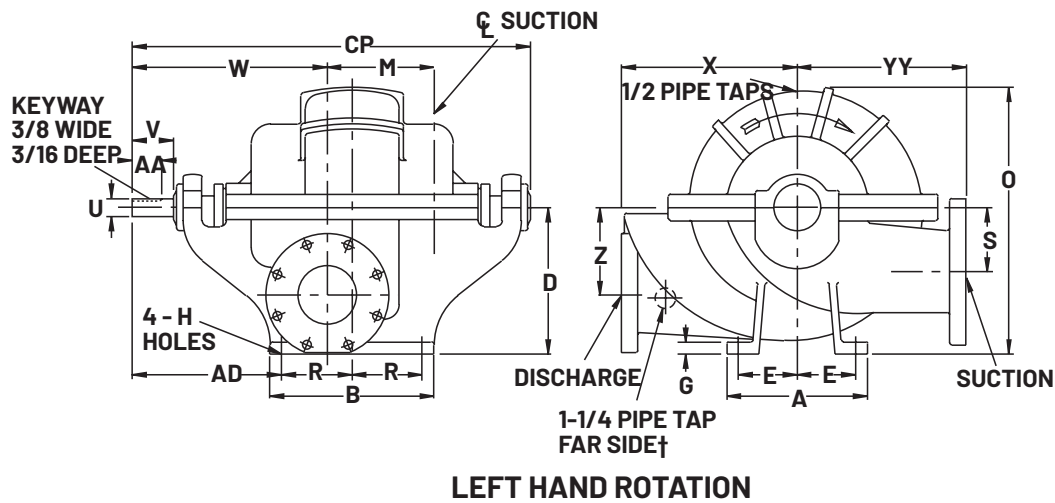
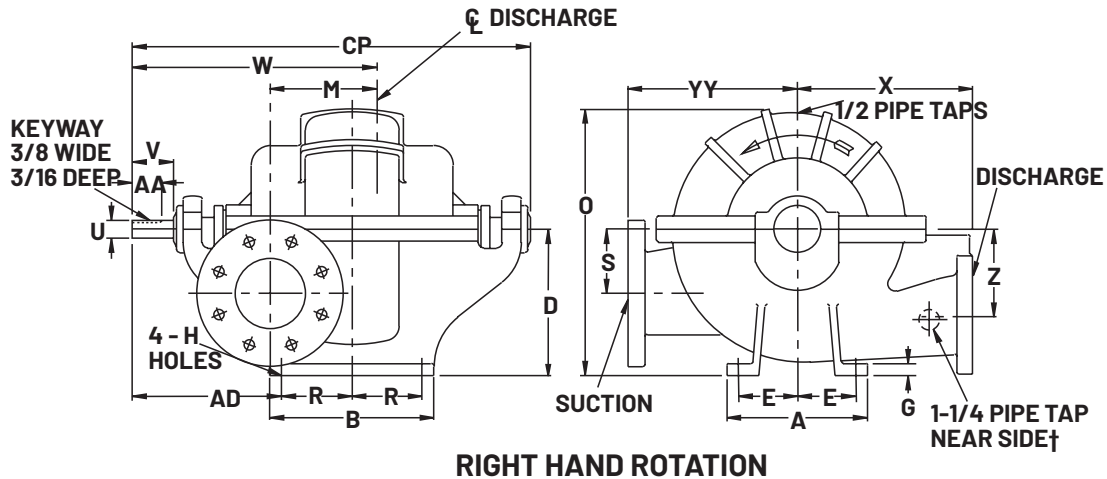
- All dimensions are in inches (mm).
- Dimensions may vary ± 3/8" (10).
- Not for construction purposes unless certified.
- Suction and discharge flanges are ANSI standard flat face.

\* Pump sizes 6"1822HHF & 6"1823HHF are furnished as standard with 125# suction flange and 250# discharge flange.

<input type="checkbox"/> STANDARD 125# SUCTION AND DISCHARGE FLANGES	<input type="checkbox"/> OPTIONAL 125# SUCTION FLANGE, 250# DISCHARGE FLANGE	<input type="checkbox"/> OPTIONAL 250# SUCTION AND DISCHARGE FLANGES
--	--	--



# MODEL 1900F MULTI-STAGE FIRE PUMPS



† Both sides for 5"1924F and 6"1924F

PUMP SIZE			SUCTION	POWER SERIES	A	B	D	E	G	H	M	O	R	S	U	V	RIGHT HAND ROTATION	LEFT HAND ROTATION	X	Z	AA	AD	CP	YY
DISCH	MODEL	CASE BORE															W	W						
4	4"1922F	15	5	3	10 (254)	12 (304)	11 (279)	4-1/4 (108)	7/8 (22)	3/4 (19)	7-1/8 (181)	23 (584)	5 (127)	5 (127)	1-3/8 (35)	3 (76)	18-7/8 (479)	15-1/8 (384)	13 (330)	6-1/2 (165)	2 (51)	12 (304)	31 (787)	13-1/2 (343)
5	5"1924F	12	5	4A	15 (381)	16 (406)	14 (356)	6-1/2 (165)	1 (25)	7/8 (22)	6-5/8 (168)	24-1/4 (616)	7 (179)	7 (179)	1-1/2 (38)	3-5/8 (92)	20-7/8 (530)	18-1/8 (460)	13 (330)	7 (179)	2-1/2 (64)	12-1/2 (318)	35-3/8 (899)	13 (330)
5	5"1922F	15	6	4	12 (304)	14 (356)	12-1/2 (318)	5 (127)	1 (25)	7/8 (22)	9-1/8 (232)	24-1/2 (622)	6 (152)	5-1/2 (140)	1-1/2 (38)	3-1/2 (89)	21-1/8 (537)	16-7/8 (429)	15 (381)	7-1/2 (191)	2 (51)	13 (330)	34-1/2 (876)	15-7/16 (392)
6	6"1924F -AF	12	6	5A	16 (406)	19 (483)	15 (381)	7 (179)	1 (25)	7/8 (22)	7-1/2 (191)	26-1/4 (667)	8-1/2 (216)	8 (203)	1-3/4 (44)	4 (102)	22-7/8 (581)	19-5/8 (498)	14 (356)	8 (203)	2-3/4 (70)	12-3/4 (324)	38-1/2 (978)	14 (356)
6	6"1923F	16	8	5	12 (305)	14 (356)	16.50 (419)	5 (127)	1 (25)	.88 (22)	10.50 (267)	33.50 (851)	6 (152)	8.25 (210)	1.75 (44)	4 (102)	23.63 (600)	18.38 (467)	19 (483)	7.75 (197)	2.88 (73)	15 (381)	37.88 (962)	17 (432)
6	6"1922AF -BF	17	8	5	12 (304)	14 (356)	14-3/4 (375)	5 (127)	1 (25)	7/8 (22)	11 (279)	28-1/4 (718)	6 (152)	7 (179)	1-3/4 (44)	4 (102)	24-1/2 (622)	17-1/2 (445)	16 (406)	9 (229)	2-7/8 (73)	15 (381)	38 (965)	16-1/2 (419)

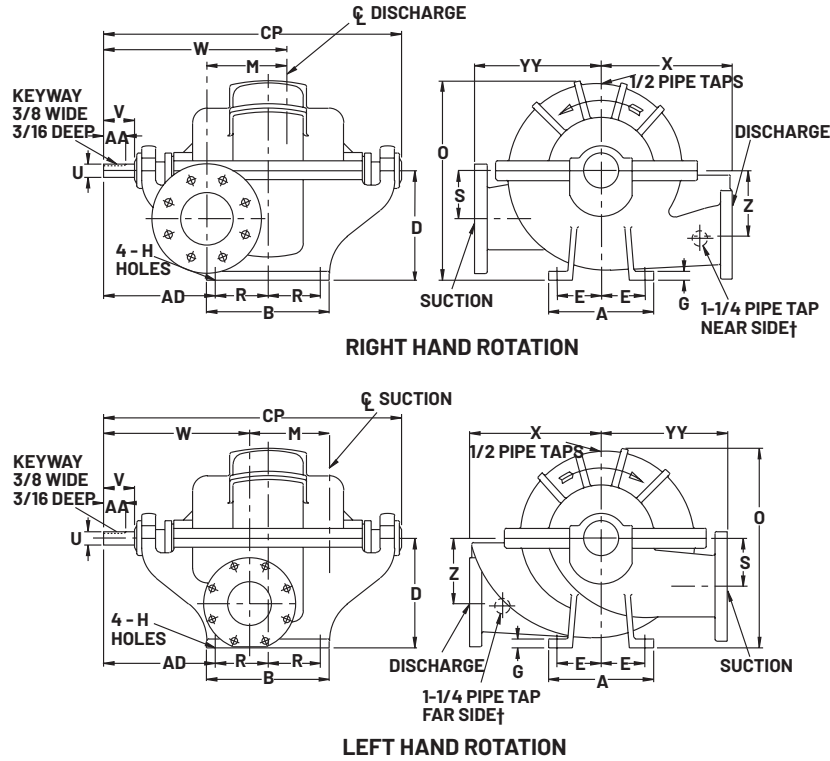
**NOTES:**

- All dimensions are in inches (mm).
  - Dimensions may vary ± 3/8" (10).
  - Not for construction purposes unless certified.
  - Suction and discharge flanges are ANSI standard flat face.
- \* 150# and 300# or 300# and 300# suction and discharge ductile iron for 5"1924F and 6"1924F.

STANDARD \*125# SUCTION FLANGE,  
\*250# DISCHARGE FLANGE

OPTIONAL \*250# SUCTION AND  
DISCHARGE FLANGES

# MODEL 2800F SINGLE STAGE FIRE PUMPS



PUMP SIZE			SUCTION																							
DISCH	MODEL	CASE BORE		A	B	D	E	G	H	O	R	S	U	V	W	X	Z	AA	AB	AC	AD	AW	AX	CP	YY	ZZ
3	3"2874AF -CF	9	5	14-1/2 (368)	14-1/2 (368)	12 (304)	6-1/4 (159)	1 (25)	7/8 (22)	18-7/8 (479)	6-1/4 (159)	6-1/8 (156)	1-1/8 (28)	3-5/16 (84)	14-5/8 (371)	11 (279)	6-1/8 (155)	2-1/2 (63)	1/4 (6)	1/8 (3)	8-3/8 (212)	-	-	25-15/16 (658)	12 (304)	
4	4"2873AF	8	6	11 (279)	11 (279)	9-3/4 (245)	4-5/8 (117)	3/4 (25)	5/8 (16)	16-1/8 (410)	4-5/8 (117)	5-3/4 (146)	1-1/8 (28)	3-1/4 (83)	14-5/8 (371)	10 (254)	5-1/2 (140)	2-1/2 (63)	1/4 (6)	1/8 (3)	10 (254)	-	-	25-15/16 (658)	11-1/4 (285)	3/4
4	4"2876AF -CF	11	6	14-1/2 (368)	14-1/2 (368)	13-3/4 (349)	6-1/4 (159)	1 (25)	7/8 (22)	22 (559)	6-1/4 (159)	6-7/8 (174)	1-1/2 (38)	3-1/2 (88)	16-5/8 (422)	11-1/4 (285)	7-1/8 (180)	2-3/8 (60)	3/8 (9)	3/16 (4)	10-3/8 (263)	3/4 (19)	2-1/4 (57)	29-11/16 (754)	14 (355)	
4	4"2823CF	14	6	18 (457)	18 (457)	13-3/4 (349)	8 (203)	1-1/8 (28)	7/8 (22)	23-5/8 (600)	8 (203)	6-7/8 (174)	1-1/2 (38)	3-1/2 (88)	17-5/8 (447)	13 (330)	8-3/8 (212)	2-3/8 (60)	3/8 (9)	3/16 (4)	9-5/8 (244)	-	-	31-11/16 (804)	15-1/4 (387)	
5	5"2823AF	14	8	18 (457)	18 (457)	16-1/4 (412)	8 (203)	1-1/8 (28)	7/8 (22)	27-1/16 (687)	8 (203)	8-1/4 (209)	1-1/2 (38)	3-1/2 (88)	17-5/8 (447)	13-1/2 (342)	9-3/4 (247)	2-3/8 (60)	3/8 (9)	3/16 (4)	9-5/8 (244)	-	-	31-11/16 (804)	17-1/4 (438)	
5	5"2824AF	18	8	18 (457)	18 (457)	16-1/4 (412)	8 (203)	1-1/8 (28)	7/8 (22)	28-3/8 (720)	8 (203)	8-1/8 (206)	2-1/8 (53)	4-3/8 (111)	18-7/8 (479)	15 (381)	10-5/8 (268)	3-1/2 (88)	1/2 (12)	1/4 (6)	10-7/8 (276)	-	-	33-3/8 (847)	18-3/4 (476)	
6	6"2876AF -BF	12	6	14-1/2 (368)	14-1/2 (368)	13-3/4 (349)	6-1/4 (159)	1 (25)	7/8 (22)	22 (559)	6-1/4 (159)	6-7/8 (174)	1-1/2 (38)	3-1/2 (88)	16-5/8 (422)	20-1/2 (520)	7-1/8 (180)	2-3/8 (60)	3/8 (9)	3/16 (4)	10-3/8 (263)	-	-	29-11/16 (754)	14 (355)	
6	6"2823AF -CF	14	10	18 (457)	18 (457)	18-3/4 (476)	8 (203)	1-1/8 (28)	7/8 (22)	30-1/16 (763)	8 (203)	9-3/8 (238)	2-1/8 (53)	4-3/8 (111)	20-1/8 (511)	13-1/4 (337)	10 (254)	3-1/2 (88)	1/2 (12)	1/4 (6)	12-1/8 (308)	-	-	35-7/8 (911)	18 (457)	
6	6"2824CF	18	10	22 (558)	22 (558)	18-3/4 (476)	10 (254)	1-1/8 (28)	7/8 (22)	32 (813)	10 (254)	9-3/8 (238)	2-1/8 (53)	4-3/8 (111)	20-1/8 (511)	16 (406)	11-3/4 (295)	3-1/2 (88)	1/2 (12)	1/4 (6)	10-1/8 (263)	-	-	35-7/8 (911)	20 (508)	1
6	6"2825AF	19	10	22 (558)	22 (558)	18-3/4 (476)	10 (254)	1-1/8 (28)	7/8 (22)	33-5/16 (846)	10 (254)	9-3/8 (238)	2-1/2 (63)	6 (152)	22-5/8 (574)	18 (457)	12-1/8 (307)	4 (101)	5/8 (15)	5/16 (7)	12-5/8 (320)	-	-	39-1/4 (996)	22 (558)	
8	8"2823AF	14A	12	22 (558)	22 (558)	21-1/2 (546)	10 (254)	1-1/8 (28)	7/8 (22)	33-5/8 (854)	10 (254)	10-3/4 (273)	2-1/8 (53)	4-3/8 (111)	20-1/2 (520)	16 (406)	10-3/4 (273)	3-1/2 (88)	1/2 (12)	1/4 (6)	10-1/2 (266)	-	-	36-5/8 (930)	22 (558)	
8	8"2824AF	18A	12	22 (558)	22 (558)	21-1/2 (546)	10 (254)	1-1/8 (28)	7/8 (22)	36 (914)	10 (254)	10-3/4 (273)	2-1/2 (63)	6 (152)	23-3/4 (603)	16 (406)	12-1/2 (317)	4 (101)	5/8 (15)	5/16 (7)	13-3/4 (349)	-	-	41-1/2 (1054)	22 (558)	
10	10"2825AF	20	16	22 (558)	22 (558)	24 (609)	10 (254)	1-1/4 (31)	7/8 (22)	40-3/8 (1025)	10 (254)	13 (330)	2-3/4 (69)	6-1/2 (165)	25-9/16 (649)	23 (584)	14-1/4 (361)	5 (127)	5/8 (15)	5/16 (7)	15-9/16 (395)	-	1-3/4 (44)	44-9/16 (1131)	25 (635)	

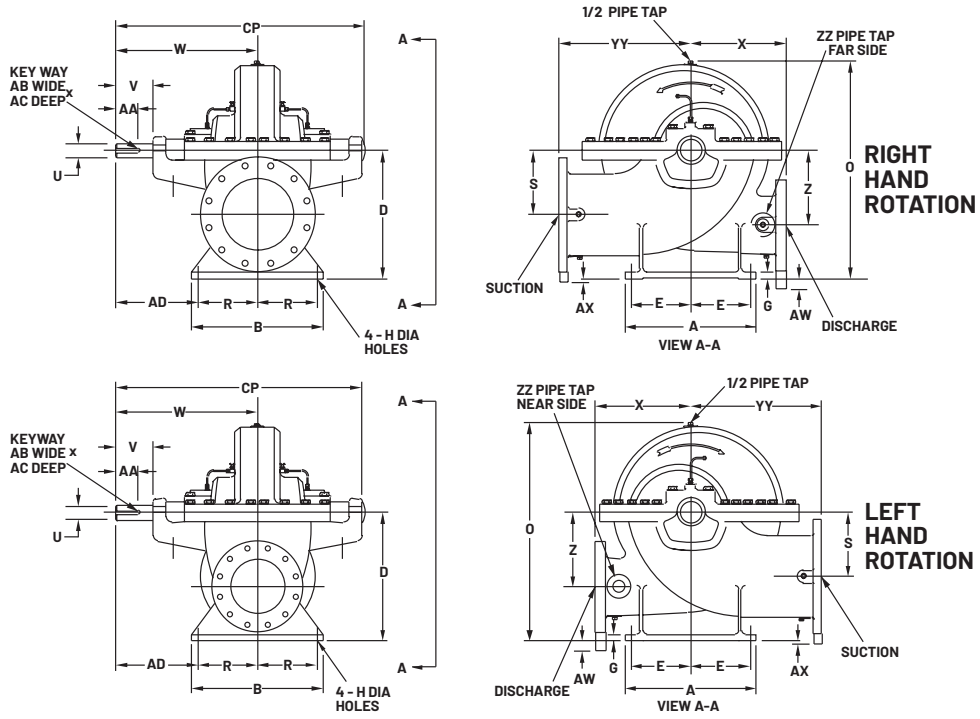
**NOTES:**

1. All dimensions are in inches (mm).
2. Dimensions may vary  $\pm 3/8"$ .
3. Not for construction purposes unless certified.
4. Suction and discharge flanges are ANSI standard flat face.

\* Std. 125# suction flange, 250# discharge flange for 6"2876AF and 10"2825AF.

	STANDARD 125# SUCTION AND DISCHARGE FLANGES*
	OPTIONAL 125# SUCTION FLANGE, 250# DISCHARGE FLANGE
	OPTIONAL 250# SUCTION AND DISCHARGE FLANGES

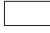


# MODEL 5800F SINGLE STAGE FIRE PUMPS



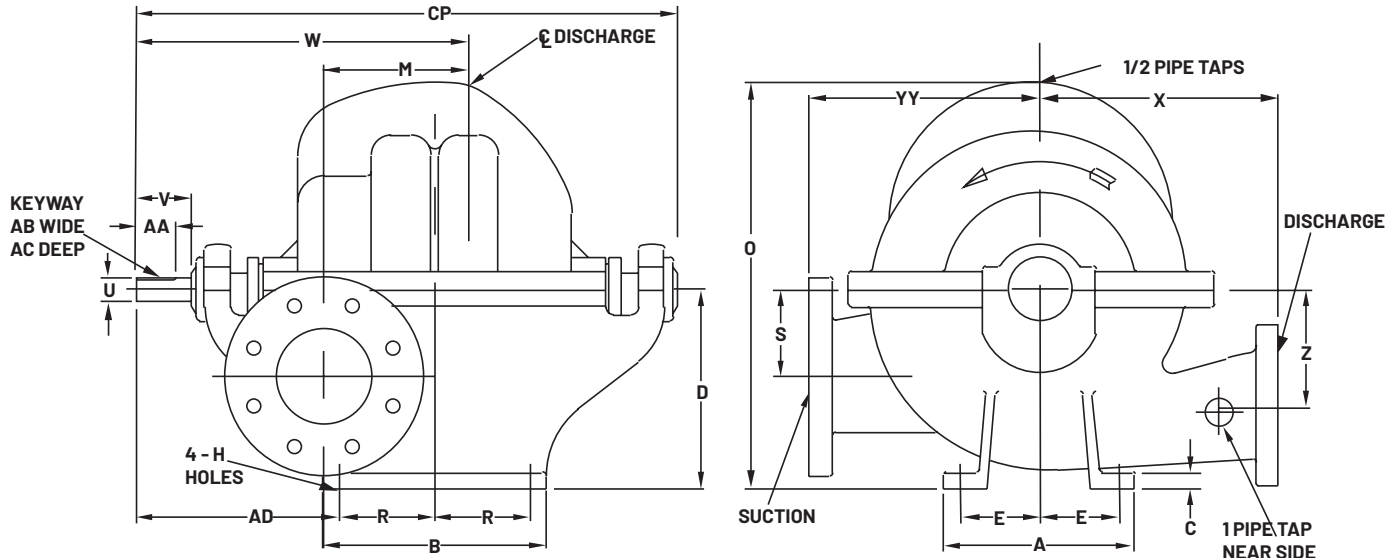
PUMP SIZE			SUCTION																							
DISCH	MODEL	CASE BORE		A	B	D	E	G	H	O	R	S	U	V	W	X	Z	AA	AB	AC	AD	AW	AX	CP	YY	ZZ
3	3"5876F	10	4	12 (305)	11-1/2 (292)	10-1/2 (267)	5-1/8 (130)	2 (50)	5/8 (16)	17 (432)	4-7/8 (124)	5-1/2 (140)	1-1/16 (27)	3-7/8 (98)	16-1/2 (419)	10 (254)	5-1/2 (140)	3-3/8 (86)	1/4 (6)	1/8 (3)	11-5/8 (295)	-	-	29-3/16 (741)	10 (254)	1
4	4"5876F	10	6	13 (330)	14 (355)	13 (330)	5-1/2 (139)	1 (25)	7/8 (22)	20-5/16 (515)	6 (152)	6-1/2 (165)	1-1/4 (31)	4 (101)	16-7/8 (428)	10-1/4 (260)	6-1/2 (165)	2-1/4 (57)	1/4 (6)	1/8 (3)	10-7/8 (276)	-	-	29-13/16 (757)	11 (279)	
4	4"5823F	14	5	14 (355)	15 (381)	12-1/2 (317)	6 (152)	2 (50)	7/8 (22)	21-3/4 (552)	6-1/2 (165)	7-3/8 (187)	1-1/4 (31)	3-5/8 (92)	18-3/8 (466)	13-1/2 (342)	7-3/8 (187)	2-5/8 (66)	1/4 (6)	1/8 (3)	11-7/8 (301)	-	3/8 (9)	33-3/16 (842)	14 (355)	3/4
4	4"5824F	18	5	15 (381)	16 (406)	14-3/4 (374)	6-1/2 (165)	2 (50)	7/8 (22)	25-3/4 (654)	7 (177)	9-1/2 (241)	1-1/4 (31)	3-1/2 (88)	18-3/8 (466)	14 (355)	9-1/2 (241)	2-5/8 (66)	1/4 (6)	1/8 (3)	11-3/8 (288)	-	1/4 (6)	33-1/4 (844)	14 (355)	
5	5"5876F	10	8	16-1/2 (419)	16-1/2 (419)	16 (406)	7 (177)	1 (25)	1-1/4 (31)	23-5/8 (600)	7 (177)	8 (203)	1-5/8 (41)	4-5/8 (117)	20 (508)	12-1/2 (317)	7 (177)	4-3/16 (106)	3/8 (9)	3/16 (4)	13 (406)	-	-	35-1/2 (902)	13 (330)	
5	5"5824F	18	6	18 (457)	16 (406)	16 (406)	8 (203)	2-1/4 (57)	1 (25)	27-3/4 (704)	7 (177)	10 (254)	1-11/16 (42)	4-15/16 (125)	21 (533)	14 (355)	10 (254)	4-1/8 (104)	3/8 (9)	3/16 (4)	14 (355)	-	1/4 (6)	37-1/8 (942)	14 (355)	
6	6"5876F	10	10	16-1/2 (419)	16-1/2 (419)	18 (457)	7 (177)	3/4 (19)	1-1/4 (31)	26-7/16 (671)	7 (177)	9 (228)	1-5/8 (41)	4-5/8 (117)	20-5/8 (523)	13 (330)	7-1/2 (190)	4-3/16 (106)	3/8 (9)	3/16 (4)	13-5/8 (346)	-	-	36-3/4 (933)	15 (381)	
6	6"5823F	15	8	17-1/2 (444)	20 (508)	15-1/2 (394)	7-3/4 (197)	2-1/2 (63)	1 (25)	25-3/4 (654)	9 (228)	8-3/4 (222)	1-11/16 (42)	4-3/16 (106)	22-1/2 (571)	15.5 (394)	8-3/4 (222)	4-1/8 (104)	3/8 (9)	3/16 (4)	13-5/8 (346)	-	3/4 (19)	40-1/4 (1022)	15 (381)	
8	8"5823F	15	10	17-1/2 (444)	20 (508)	17-1/2 (444)	7-3/4 (196)	2-1/2 (63)	1 (25)	28-1/8 (714)	9 (228)	9-1/4 (234)	1-11/16 (42)	4-13/16 (122)	22-1/2 (571)	17 (431)	9-1/4 (234)	4-1/8 (104)	3/8 (9)	3/16 (4)	13-1/2 (342)	-	1/2 (12)	40-1/4 (1022)	17 (431)	1
10	10"5824F	18	12	26 (660)	24 (609)	21-3/4 (552)	10-1/2 (266)	1-1/4 (31)	1-1/4 (31)	35-1/4 (895)	9-1/2 (241)	11-1/2 (292)	2 (50)	5-5/16 (134)	25-9/16 (649)	21 (533)	11-1/2 (292)	5 (127)	1/2 (12)	1/4 (6)	16-1/16 (407)	-	-	45-13/16 (1163)	21 (533)	

**NOTES:**

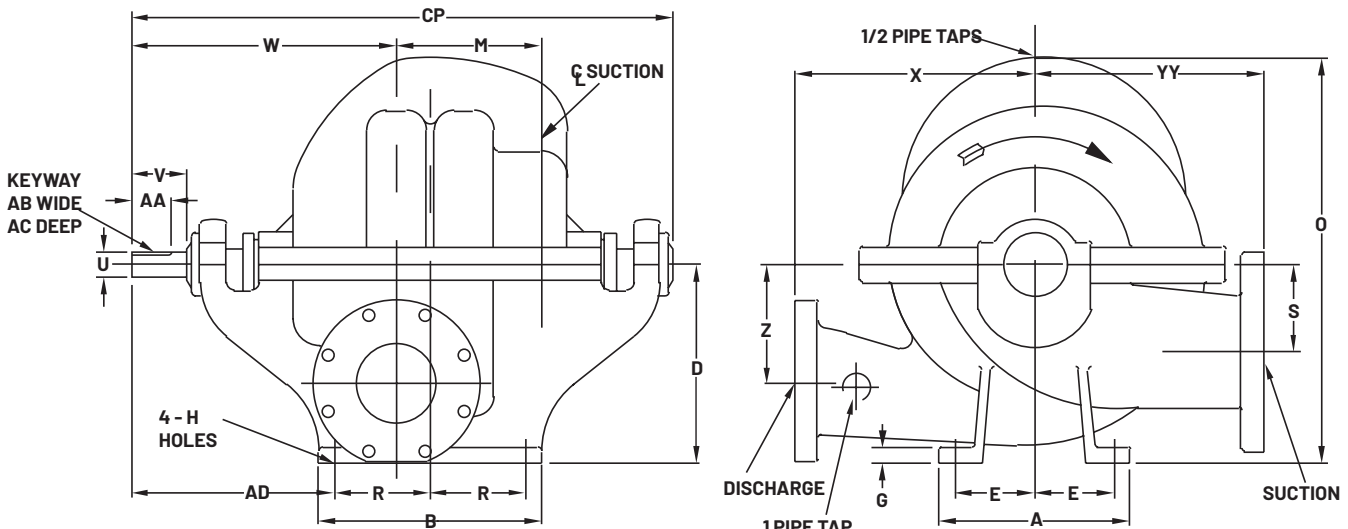
1. All dimensions are in inches (mm).
2. Dimensions may vary ± 3/8".
3. Not for construction purposes unless certified.
4. Suction and discharge flanges are ANSI standard flat face.

	STANDARD 125# SUCTION AND DISCHARGE FLANGES
	OPTIONAL 125# SUCTION FLANGE, 250# DISCHARGE FLANGE
	OPTIONAL 250# SUCTION AND DISCHARGE FLANGES

# MODEL 5900F MULTI-STAGE FIRE PUMPS



**RIGHT HAND ROTATION**

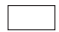


**LEFT HAND ROTATION**

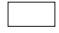
PUMP SIZE			SUCTION															RIGHT HAND ROTATION	LEFT HAND ROTATION						
DISCH	MODEL	CASE BORE		A	B	D	E	G	H	M	O	R	S	U	V	W	W	X	Z	AA	AB	AC	AD	CP	YY
5	5"5922F	15	6	20 (508)	24 (609)	17 (431)	9 (228)	2 (50)	7/8 (22)	11 (279)	27-3/4 (704)	11 (279)	9 (228)	1-11/16 (42)	5-7/16 (138)	28-3/8 (720)	23-3/8 (593)	15 (381)	9 (228)	4 (101)	3/8 (9)	3/16 (4)	14-7/8 (377)	46-7/8 (1190)	15 (381)
6	6"5922F	17	8	22 (558)	27 (685)	17-1/2 (444)	9-3/4 (247)	2-1/2 (63)	1-1/8 (28)	13 (330)	35-3/8 (898)	12 (304)	9 (228)	2-1/4 (57)	4-5/8 (117)	31-5/8 (803)	25-1/8 (638)	16-1/2 (419)	10-1/2 (266)	4-1/4 (107)	1/2 (12)	1/4 (6)	16-3/8 (415)	52-1/2 (1333)	16-1/2 (419)

**NOTES:**

1. All dimensions are in inches (mm).
2. Dimensions may vary  $\pm 3/8"$ .
3. Not for construction purposes unless certified.
4. Suction and discharge flanges are ANSI standard flat face.



STANDARD 125# SUCTION AND  
250# DISCHARGE FLANGE

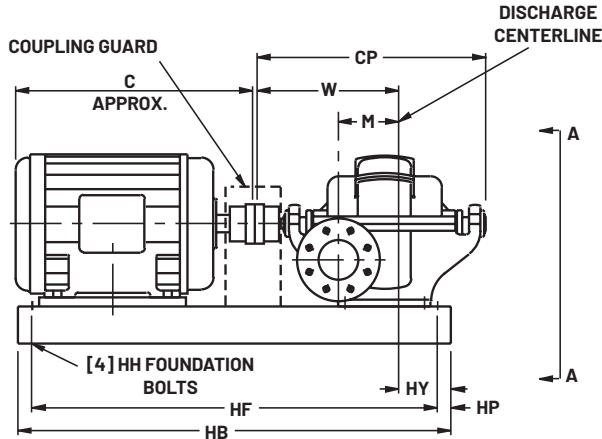


OPTIONAL 250# SUCTION AND  
DISCHARGE FLANGES

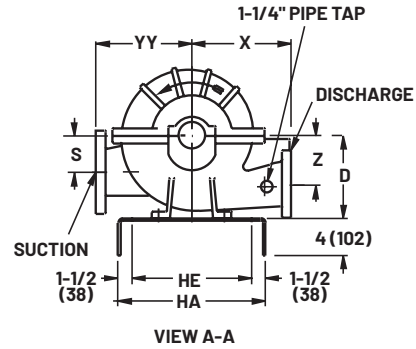




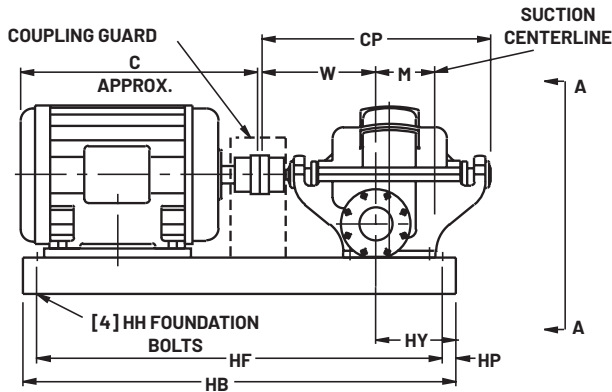
# MODEL 1900F ON STANDARD STEEL BASE



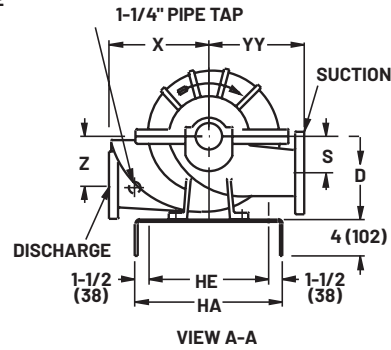
RIGHT HAND ROTATION



PIPE TAP ON BOTH SIDES OF 5\"/>



LEFT HAND ROTATION

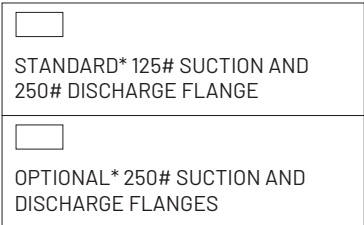


PUMP SIZE			SUCTION	POWER SERIES	D	M	S	RIGHT HAND ROTATION				LEFT HAND ROTATION				C	MOTOR FRAME	MOTOR FRAME												
DISCH	MODEL	CASE BORE						RIGHT HAND ROTATION W	LEFT HAND ROTATION W	X	Z	CP	RIGHT HAND ROTATION HY	LEFT HAND ROTATION HY	YY			326TS	326T	364TS	364T	366TS	365T	404TS	404T	405TS	405T	444TS	444TS	445TS
4	4\"/>	15	5 3	11 (279)	7-1/8 (181)	5 (127)	18-7/8 (479)	15-1/8 (384)	13 (330)	6-1/2 (165)	31 (787)	4-1/8 (105)	7-7/8 (200)	13-1/2 (343)	Base	12	12	12	12	12	12	12	15	15	15	15	15	-	-	-
5	5\"/>	12	5 4A	14 (356)	6-5/8 (168)	7 (178)	20-7/8 (530)	18-1/8 (460)	13 (330)	7 (178)	35-3/8 (889)	11-1/8 (283)	13-7/8 (352)	13 (330)	Base	-	-	-	-	-	-	-	16	-	16	-	16	16	17	17
5	5\"/>	15	6 4	12-1/2 (317)	9-1/8 (232)	5-1/2 (140)	21-1/8 (536)	16-7/8 (428)	15 (381)	7-1/2 (190)	34-1/2 (876)	4-7/8 (124)	9-1/8 (232)	15-7/16 (392)	Base	12	12	12	12	12	12	13	15	15	15	15	16	16	-	-
6	6\"/>	12	6 5A	15 (381)	7-1/2 (191)	8 (203)	22-7/8 (581)	19-5/8 (498)	14 (356)	8 (203)	38-1/2 (978)	10-7/8 (276)	14-1/8 (359)	14 (356)	Base	-	-	-	-	-	-	-	-	16	-	16	16	17	17	
6	6\"/>	16	8 5	16.5 (419)	10.5 (267)	8.25 (210)	23.63 (600)	18.38 (467)	19 (483)	7.75 (197)	37.88 (962)	5 (127)	10.25 (260)	17 (432)	Base	-	-	-	-	13	13	16	16	16	16	16	16	16	16	17
6	6\"/>	17	8 5	14-3/4 (374)	11 (279)	7 (178)	24-1/2 (622)	17-1/2 (444)	16 (406)	9 (228)	38 (964)	3-1/2 (89)	10-1/2 (266)	16-1/2 (419)	Base	13	13	13	13	13	13	15	15	15	16	16	16	-	-	

BASE	SIZE	HA	HB	HE	HF	HH	HP
12	18x54 (558)	18 (457)	54 (1372)	15 (381)	52 (1321)	5/8 (16)	1 (25)
13	18x60 (660)	18 (457)	60 (1524)	15 (381)	35 (889)	5/8 (16)	24 (609)
15	22x60 (660)	22 (559)	60 (1524)	19 (483)	58 (1473)	3/4 (19)	1 (25)
16	22x72 (660)	22 (559)	72 (1829)	19 (483)	70 (1777)	5/8 (16)	1 (25)
17	22x84 (660)	22 (559)	84 (2134)	19 (483)	80 (2083)	5/8 (16)	1 (25)

NOTES:

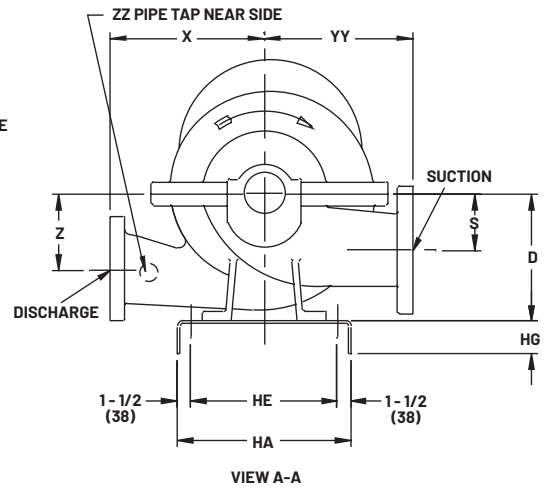
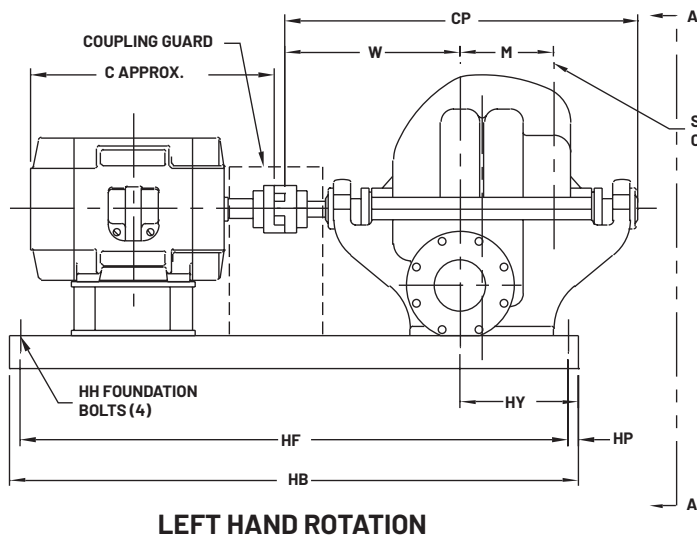
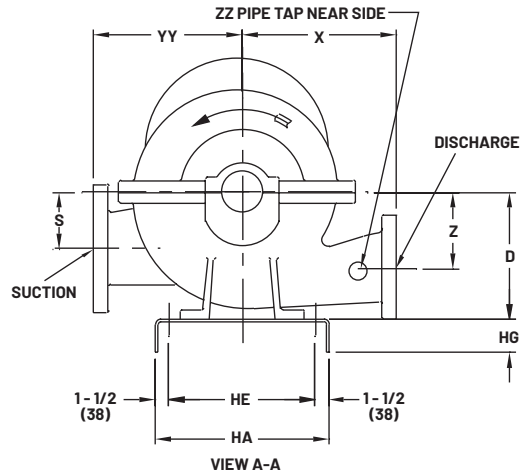
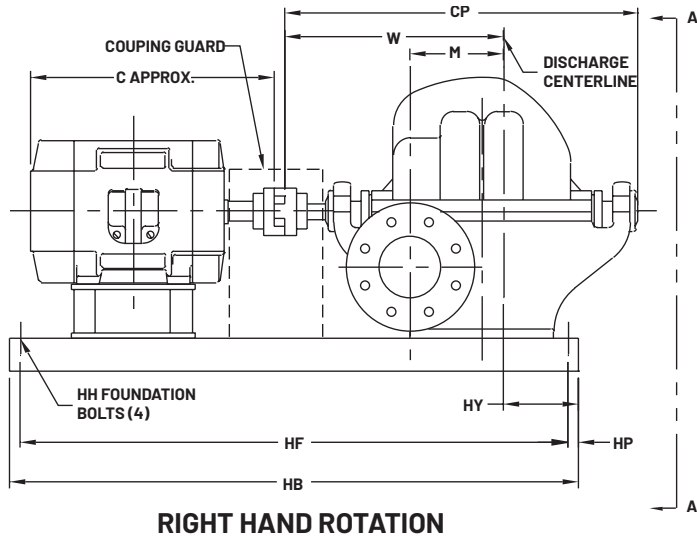
- All dimensions are in inches (mm).
  - Dimensions may vary ± 3/8" (10).
  - Not for construction purposes unless certified.
  - Coupling gap may vary 1/8" thru 1".
  - Conduit box is shown in approximate location. Dimensions are not specified as they vary with each motor manufacturer.
  - Suction and discharge flanges are ANSI standard flat face.
- \* 150# and 300# or 300# and 300# suction and discharge ductile iron for 5\"/>







# MODEL 5900F ON STANDARD STEEL BASE

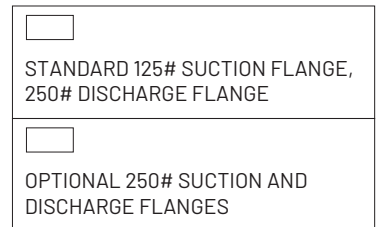


PUMP SIZE			SUCTION	D	M	S	RIGHT HAND W	LEFT HAND W	X	Z	CP	RIGHT HAND HY	LEFT HAND HY	YY	ZZ	C APPROX	MOTOR FRAME	404TS	404T	405TS	405T	444TS	444T	445TS	445T	447TS	447T	448TS	448T	
DISCH	MODEL	CASE BORE															30	33	32	35	34	38	36	40	40	44	45	49		
5	5"5922F	15	6	17 (431)	11 (279)	9 (228)	28-3/8 (720)	23-3/8 (593)	15 (381)	9 (228)	46-7/8 (1190)	13-1/2 (342)	18-1/2 (469)	15 (381)	1	Base	17	17	17	17	-	-	-	-	-	-	-	-	-	-
6	6"5922F	17	8	17-1/2 (444)	13 (330)	9 (228)	31-5/8 (803)	25-1/8 (638)	16-1/2 (419)	10-1/2 (266)	52-1/2 (1333)	12-3/4 (323)	19-1/4 (488)	16-1/2 (419)	1	Base	-	-	-	-	23	23	23	23	24	24	24	24	24	

BASE	HA	HB	HE	HG	HH	HF	HP
17	22 (558)	84 (2133)	19 (482)	4 (101)	5/8 (15)	82 (2082)	1 (25)
23	26 (660)	84 (2133)	23 (584)	4-1/2 (114)	5/8 (15)	82 (2082)	1 (25)
24	26 (660)	96 (2438)	23 (584)	4-1/2 (114)	5/8 (15)	94 (2387)	1 (25)

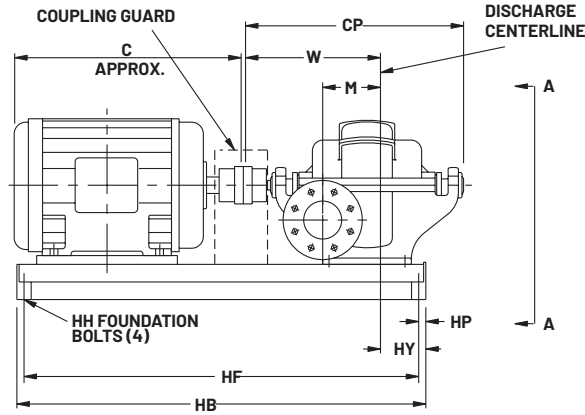
**NOTES:**

- All dimensions are in inches.
- Dimensions may vary  $\pm 3/8"$ .
- Not for construction purposes unless certified.
- Coupling gap may vary 1/8" thru 3".
- Conduit box is shown in approximate location. Dimensions are not specified as they vary with each motor manufacturer.
- Suction and discharge flanges are ANSI standard flat face.

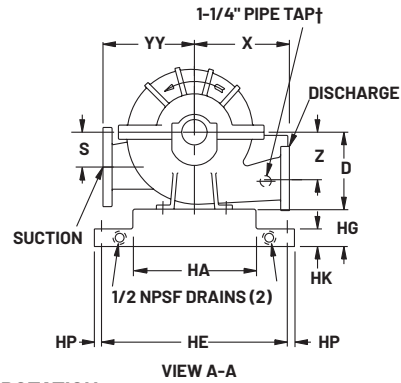




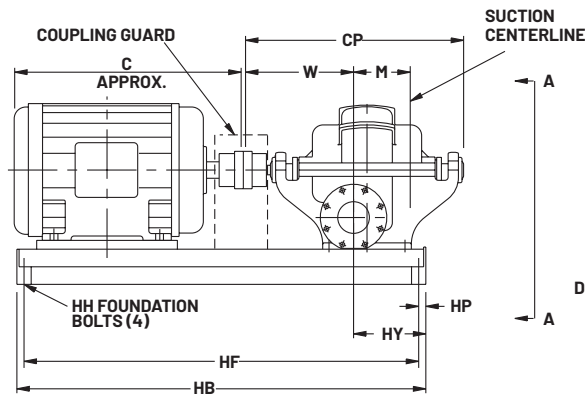
# MODEL 1900F ON STEEL DRIP RIM BASE



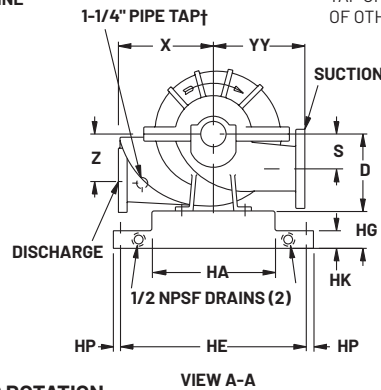
RIGHT HAND ROTATION



† PIPE TAP ON BOTH SIDES OF 5\"/>



LEFT HAND ROTATION

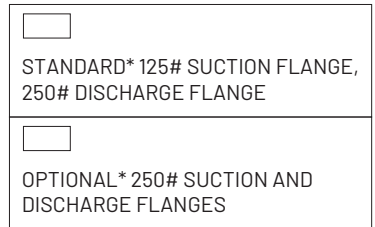


DISCH	PUMP SIZE			SUCTION POWER SERIES	D	M	S	RIGHT HAND ROTATION				LEFT HAND ROTATION				C	MOTOR FRAME	326TS	326T	364TS	364T	385TS	385T	404TS	404T	405TS	405T	444TS	444TS	445TS	447TS	447TS
	MODEL	CASE BORE						W	W	X	Z	CP	HY	HY	YY																	
4	4\"/>																															
5	5\"/>																															
5	5\"/>																															
6	6\"/>																															
6	6\"/>																															
6	6\"/>																															

BASE	SIZE	HA	HB	HE	HF	HG	HH	HK	HP
12	18x54	18 (457)	54-1/2 (1383)	25-1/8 (638)	52-7/8 (1342)	4 (102)	3/4 (19)	2 (51)	13/16 (21)
13	18x64	18 (457)	64-1/2 (1637)	25-1/8 (638)	62-7/8 (1593)	4 (102)	3/4 (19)	2 (51)	13/16 (21)
15	22x54	22 (559)	54-1/2 (1383)	29-1/8 (740)	52-7/8 (1342)	4-1/2 (114)	3/4 (19)	2 (51)	13/16 (21)
16	22x64	22 (559)	64-1/2 (1637)	29-1/8 (740)	62-7/8 (1593)	4-1/2 (114)	3/4 (19)	2 (51)	13/16 (21)
17	22x74	22 (559)	74-1/2 (1892)	29-1/8 (740)	72-7/8 (1851)	4-1/2 (114)	3/4 (19)	2 (51)	13/16 (21)
18	22x82	22 (559)	82-1/2 (2096)	29-1/8 (740)	80-7/8 (2054)	4-1/2 (114)	3/4 (19)	2 (51)	13/16 (21)

NOTES:

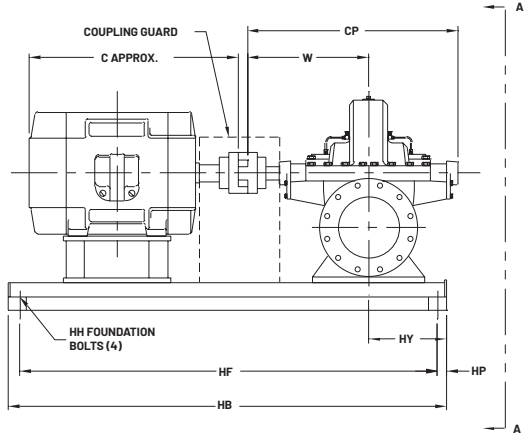
- All dimensions are in inches (mm) and may vary  $\pm 3/8"$  (10).
  - Not for construction purposes unless certified.
  - Coupling gap may vary 1/8" (3) thru 1" (25).
  - Conduit box is shown in approximate location. Dimensions are not specified as they vary with each motor manufacturer.
  - Suction and discharge flanges are ANSI standard flat face.
  - Three grout holes are provided in top of base.
- \* 150# and 300# or 300# and 300# suction and discharge ductile iron for 5\"/>



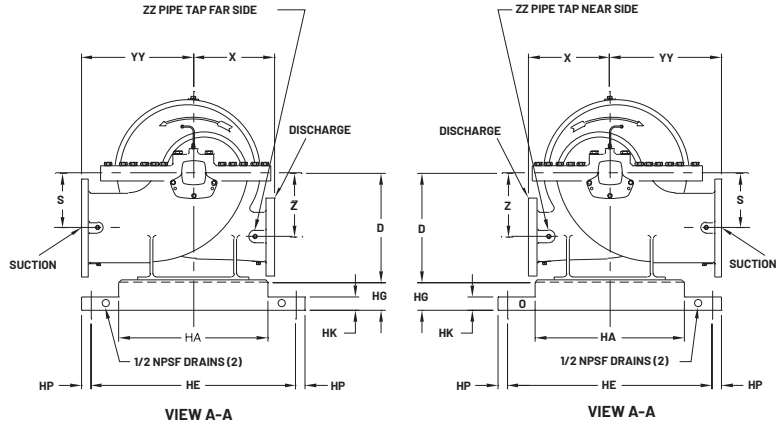




# MODEL 5800F ON STEEL DRIP RIM BASE



**RIGHT HAND ROTATION**



**LEFT HAND ROTATION**

DISCH	MODEL	CASE BORE	SUCTION	D	S	W	X	Z	CP	HY	YY	ZZ	C APPROX	MOTOR FRAME	254T	258T	284TS	284T	288TS	288T	324TS	324T	328TS	328T	364TS	364T	368TS	368T	404TS	404T	405TS	405T	444TS	444T	445TS	445T	447TS	447T	449TS	449T			
															21	23	22	24	24	25	25	26	26	28	28	29	28	30	30	33	32	35	34	38	36	40	40	44	44	45	45	48	48
3	3"5876F	10	4	10-1/2 (267)	5-1/2 (140)	16-1/2 (419)	10 (254)	5-1/2 (140)	29-3/16 (738)	7 (178)	10 (254)	1	Base	12	12	12	12	12	12	12	12	12	12	12	12	12	12	12	12	12	12	12	12	12	12	12	12	12	12	12	12	12	
4	4"5876F	10	6	13 (330)	6-1/2 (165)	16-7/8 (428)	10-1/4 (260)	6-1/2 (165)	29-13/16 (757)	10 (254)	11 (279)	3/4	Base	-	-	-	-	-	-	12	12	12	12	12	12	13	13	13	16	16	16	16	16	-	-	-	-	-	-	-	-	-	
4	4"5823F	14	5	12-1/2 (317)	7-3/8 (187)	18-3/8 (466)	13-1/2 (342)	7-3/8 (187)	33-3/16 (842)	10 (254)	14 (355)	3/4	Base	-	12	12	12	12	12	12	12	12	-	-	-	-	-	-	-	-	-	-	-	-	-	-	-	-	-	-	-	-	-
4	4"5824F	18	5	14-3/4 (374)	9-1/2 (241)	18-3/8 (466)	14 (355)	9-1/2 (241)	33-1/4 (844)	11 (279)	14 (355)	3/4	Base	-	-	-	-	-	-	-	-	-	13	13	13	13	13	13	16	16	-	-	-	-	-	-	-	-	-	-	-	-	
5	5"5876F	10	8	16 (406)	8 (203)	20 (508)	14 (355)	7 (178)	35-1/2 (901)	11 (279)	13 (330)	1	Base	12	12	13	13	13	13	13	13	13	13	13	13	13	13	13	16	16	16	16	17	17	17	17	17	-	-	-	-		
5	5"5824F	18	6	16 (406)	10 (254)	21 (533)	14 (355)	10 (254)	37-1/8 (942)	11 (279)	14 (355)	1	Base	-	-	-	-	-	-	-	-	-	16	16	16	16	16	16	16	16	16	16	16	16	-	-	-	-	-	-	-	-	
6	6"5876F	10	10	18 (457)	9 (228)	20-5/8 (523)	13 (330)	7-1/2 (190)	36-3/4 (933)	11 (279)	15 (381)	1	Base	-	-	-	-	-	-	-	-	-	-	-	-	-	16	16	16	16	16	16	16	16	17	17	17	17	17	17	17	17	
6	6"5823F	15	8	15-1/2 (394)	8-3/4 (222)	22-1/2 (571)	15 (381)	8-3/4 (222)	40-1/4 (1022)	13 (330)	15-1/2 (394)	1	Base	-	-	-	-	-	13	13	13	13	13	13	13	13	13	13	17	17	17	17	-	-	-	-	-	-	-	-	-	-	
8	6"5823F	15	10	17-1/2 (444)	9-1/4 (234)	22-1/2 (571)	17 (431)	9-1/4 (234)	40-1/4 (1022)	13 (330)	17 (431)	1	Base	-	-	-	-	-	-	-	-	-	16	16	16	16	16	16	16	16	16	16	16	16	16	16	16	16	16	16	16	16	
10	10"5824F	18	12	21-3/4 (552)	11-1/2 (292)	25-9/16 (649)	21 (533)	11-1/2 (292)	45-13/16 (1163)	15 (381)	21 (533)	1	Base	-	-	-	-	-	-	-	-	-	-	-	-	-	-	-	-	-	-	-	-	-	-	-	-	23	23	20	20		

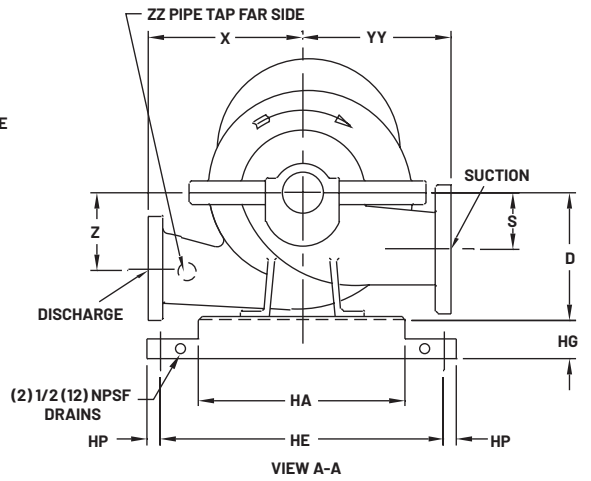
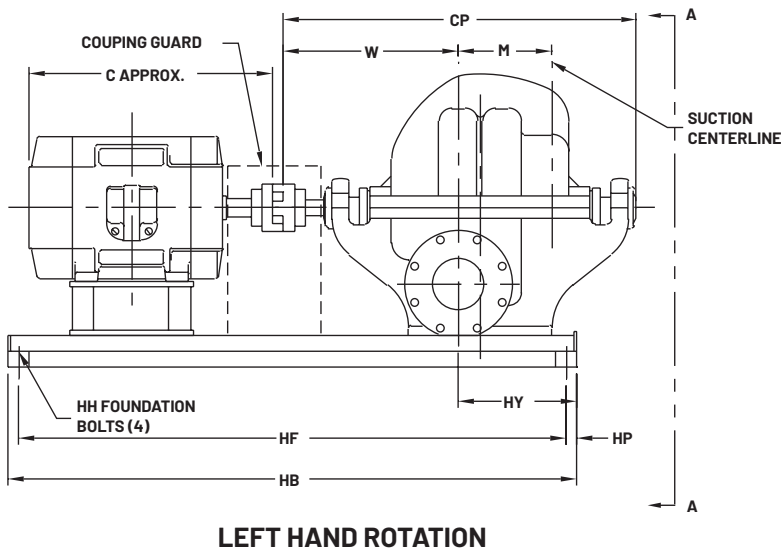
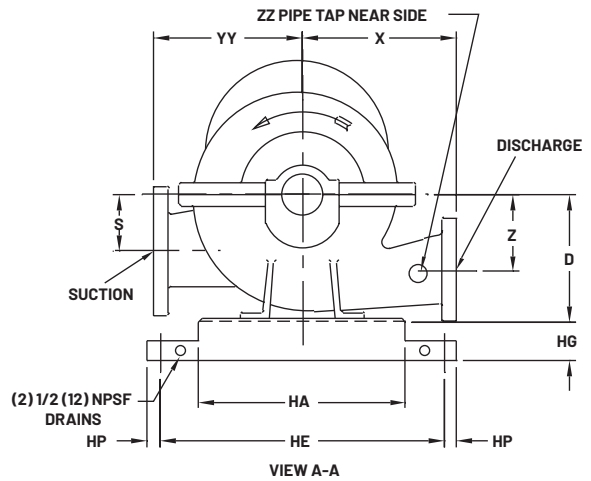
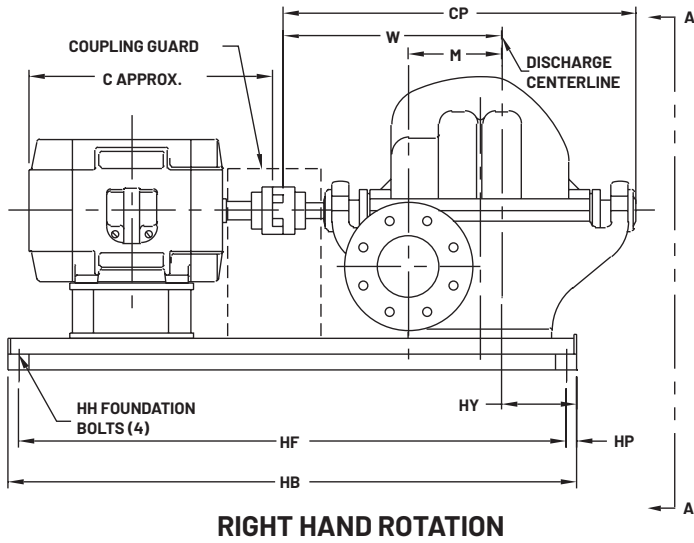
BASE	SIZE	HA	HB	HE	HF	HG	HH	HK	HP
12	18x54	18 (457)	54-1/2 (1384)	25-1/8 (638)	52-7/8 (1343)	4 (101)	3/4 (19)	2 (50)	13/16 (20)
13	18x64	18 (457)	64-1/2 (1638)	25-1/8 (638)	62-7/8 (1597)	4 (101)	3/4 (19)	2 (50)	13/16 (20)
16	22x64	22 (558)	64-1/2 (1638)	29-1/8 (739)	62-7/8 (1597)	4-1/2 (114)	3/4 (19)	2 (50)	13/16 (20)
17	22x74	22 (558)	74-1/2 (1892)	29-1/8 (739)	72-7/8 (1851)	4-1/2 (114)	3/4 (19)	2 (50)	13/16 (20)
18	22x82	22 (558)	82-1/2 (2095)	29-1/8 (739)	80-7/8 (2054)	4-1/2 (114)	3/4 (19)	2 (50)	13/16 (20)
20	26x90	26 (660)	90-1/2 (2298)	33-1/8 (841)	88-7/8 (2257)	4-1/2 (114)	3/4 (19)	2 (50)	13/16 (20)
21	26x72	26 (660)	72-1/2 (1841)	33-1/8 (841)	70-7/8 (1800)	4-1/2 (114)	3/4 (19)	2 (50)	13/16 (20)
23	26x84	26 (660)	84-1/2 (2146)	33-1/8 (841)	82-7/8 (2105)	4-1/2 (114)	3/4 (19)	2 (50)	13/16 (20)

**NOTES:**

1. All dimensions are in inches.
2. Dimensions may vary ± 3/8".
3. Not for construction purposes unless certified.
4. Coupling gap may vary 1/8" thru 3".
5. Conduit box is shown in approximate location. Dimensions are not specified as they vary with each motor manufacturer.
6. Suction and discharge flanges are ANSI standard flat face.
7. Structural steel bases are used for pumps with motor frames larger than 449T (refer to factory).

<input type="checkbox"/>	STANDARD 125# SUCTION AND DISCHARGE FLANGES
<input type="checkbox"/>	OPTIONAL 125# SUCTION FLANGE, 250# DISCHARGE FLANGE
<input type="checkbox"/>	OPTIONAL 250# SUCTION AND DISCHARGE FLANGES

# MODEL 5900F ON STEEL DRIP RIM BASE



PUMP SIZE			SUCTION	D	S	RIGHT HAND W	LEFT HAND W	X	Z	CP	RIGHT HAND HY	LEFT HAND HY	YY	ZZ	C	MOTOR FRAME													
DISCH	MODEL	CASE BORE														30	33	32	35	34	38	36	40	40	44	45	48		
5	495	15	6	17 (431)	9 (228)	28-3/8 (720)	23-3/8 (593)	15 (381)	9 (228)	46-7/8 (1190)	13-1/2 (342)	18-1/2 (469)	15 (381)	1 (25)	Base	17	17	17	17	-	-	-	-	-	-	-	-	-	-
6	495	17	8	17-1/2 (444)	9 (228)	31-5/8 (803)	25-1/8 (638)	16-1/2 (419)	10-1/2 (266)	52-1/2 (1333)	12-3/4 (323)	19-1/4 (488)	16-1/2 (419)	1 (25)	Base	-	-	-	-	23	23	23	23	24	24	24	24	24	

BASE	HA	HB	HE	HG	HH	HF	HP
17	22 (558)	84 (2133)	19 (482)	4 (101)	5/8 (15)	82 (2082)	1 (25)
23	26 (660)	84 (2133)	23 (584)	4-1/2 (114)	5/8 (15)	82 (2082)	1 (25)
24	26 (660)	96 (2438)	23 (584)	4-1/2 (114)	5/8 (15)	94 (2387)	1 (25)

**NOTES:**

- All dimensions are in inches.
- Dimensions may vary  $\pm 3/8"$ .
- Not for construction purposes unless certified.
- Coupling gap may vary 1/8" thru 3".
- Conduit box is shown in approximate location. Dimensions are not specified as they vary with each motor manufacturer.
- Suction and discharge flanges are ANSI standard flat face.

STANDARD 125# SUCTION FLANGE,  
250# DISCHARGE FLANGE

OPTIONAL 250# SUCTION AND  
DISCHARGE FLANGE





3601 Fairbanks Ave. | Kansas City, KS 66106 | PH: 913.371.5000 | [pentair.com/fairbanks-nijhuis](https://pentair.com/fairbanks-nijhuis)

All indicated Pentair trademarks and logos are property of Pentair. Third party registered and unregistered trademarks and logos are the property of their respective owners.

©2023 Pentair. All Rights Reserved.

FN-01-10-912-201-274 (12-06-23)