

BERKELEY® B4JRMBH

Cast Iron Impeller

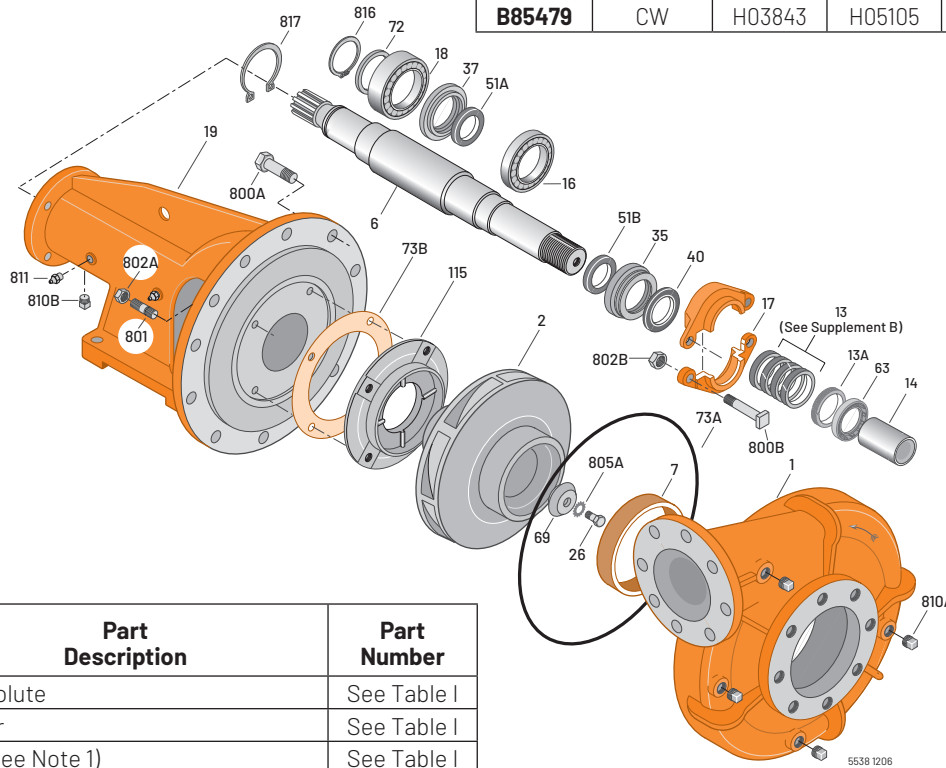
Flanged Case, Packing Construction

BEARING FRAME MOUNT

Section	FM
Page	190.1M
Date	May 21, 2018
Supersedes 03/04/13	

Table I

B/M No.	Rotation	Volute Case	Shaft No.	Impeller	Impeller Diameter
B85479	CW	H03843	H05105	L05976	13.50"



Item No.	Part Description	Part Number
1	Case, Volute	See Table I
2	Impeller	See Table I
6	Shaft (See Note 1)	See Table I
7	Ring, Wearing	S02894
13	Ring, Packing (4 Req.)	M14761
13A	Ring, Packing Metallic (1 Req.)	S13434
14	Sleeve, Shaft	S05974L
16	Bearing, Ball	S15604
17	Gland, Packing	B82472
18	Bearing, Ball	M10184
19	Frame	M14766
26	Screw, Impeller 1/2-13x1-1/2"	S23623
35	Inner Bearing Cap	M10200
37	Outer Bearing Cap	M10209
40	Slinger, Water	S10964
51A	Seal, Oil	M10210
51B	Seal, Oil	S14765
63	Bushing, Throat	S18992
69	Washer, Impeller	M14217
72	Ring, Thrust	S06519
73A	O-Ring, Volute	M15130
73B	Gasket, Balance Ring	S09943

Item No.	Part Description	Part Number
115	Ring, Balance	S12315
800A	Cap screw, Hex 5/8-11x1-1/2" (12 Req.)	S26999
800B	Bolt, Sq. Head 1/2-13x2-3/4" (2 Req.)	S23794
801	Stud, 3/8-16x1-1/4" (4 Req.)	S01823
802A	Nut, Hex 3/8-16 (4 Req.)	S23103
802B	Nut, Hex 1/2-13x7/16" (2 Req.)	S23347
805A	Washer, Lock	S23038
810A	Plug, Pipe 1/2 NPT (4 Req.)	S23717
810B	Plug, Pipe 1/4 NPT	S23715
811	Fitting, Grease (2 Req.)	M11141
816	Ring, Retaining	S23016
817	Ring, Retaining	S23025

NOTE 1: Shaft Replacement Kit is not available for this model. Order Replacement Shaft and associated components from above listing.

NOTE 2: 73A, if paper gasket use part # S06271.

