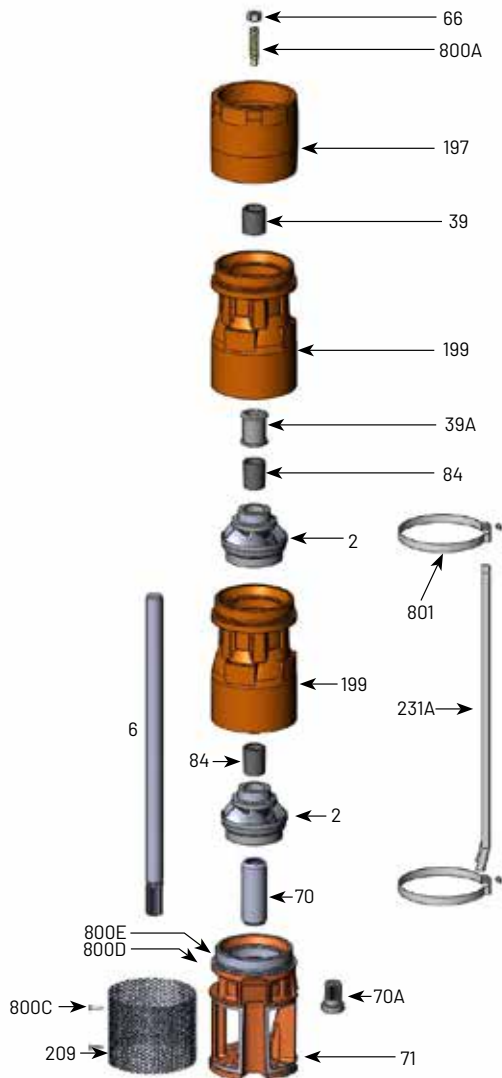




PENTAIR BERKELEY

6TMH SERIES 450 GPM, 60HZ, NPT

Section	ST-6TMH
Page	1.0
Date	June 4, 2018
Supersedes	July 15, 2015



Item Number	Part Number	Description	Required Qty
2	See Table 3	Impeller	1 Per Stage
6	See Table 4	Shaft	1
39	M15886	Vesconite Bearing	1
39A	S13636	Neoprene Bearing	1 Per Stage
66	M15881	Upthrust Nut, 1/2-13 LH	1
70	B86966	6" Motor Coupling	1
70A	M15847	4" Motor Coupling	1
71	M15869	6TMH 4"/6" Motor Suction Bracket*	1
84	S05301	1" Collet	1 Per Stage
199	B86170	6TMH-450 Bowl (incl. Neoprene Bearing)	1 Per Stage
197	M15868	6TMH Discharge, 4" NPT**	1
209	M15870	Suction Screen	1
231A	30866000	Cable Guard, 12' material	1
800A	M15882	Upthrust Screw, 1/2-13 LH	1
800C	M15937	Screen Screw, 8-32 x 3/8 Panhead	2
800D	M10199	Rivet, 3/32	2
800E	M09653	Nameplate	1
801	M15879	6TMH Cable Guard Clamp	2
Not Illustrated	M09970	Tag, Upthrust Adjustment	1
Not Illustrated	B86187	Bolt Kit, 6" Motor	1
Not Illustrated	M15847	Adapter Kit, 4" Motor	1
Not Illustrated	BE972	Owner's Manual	1

*Note 1: Motor bracket is dual machined for 4" and 6" motors
 **Note 2: B86185 includes items 39, 66, 197, 800A

Item Number	Part Number	Description	Required Qty
39A	S13636	Neoprene Bearing	1 Per Stage
	S10708	Bronze Bearing	
199	B86170	6TMH-450 Bowl (incl. Neoprene Bearing)	1 Per Stage
84	S05301	1" Collet	1 Per Stage
2	See Table 3	Impeller	1 Per Stage

Note 3: Bronze bearing may be used in place of the standard Neoprene Bearing.

Item Number	Part Number	Description	Required Qty
2	M15864	6TMH-450 "A" Impeller 5.250"	See Table 4
2	M15865	6TMH-450 "B" Impeller 4.850"	

TABLE 4 - 60 Hz Staging Requirements Build Table

Series ^a	HP/kW	Stages	"A" Trim	"B" Trim	416 SS shaft		Ion-nitride shaft		Shaft Length (in/mm)	Cable Guard Length ^e	Assembled pump length (motor not included)
					Pump catalog number	416 SS Shaft p/n ^b	Pump catalog number	Ion Nitride Shaft p/n ^b			
6TMH7.5-450	7.5/5.6	1		1	B86260	M16003	B86260N	M16015	12.75 in/324 mm	10.5 in/267 mm	18.18 in/462 mm
6TMH10-450	10/7.5	1	1		B86261	M16003	B86261N	M16015	12.75 in/324 mm	10.5 in/267 mm	18.18 in/462 mm
6TMH15-450	15/11.2	2	1	1	B86262	M16004	B86262N	M16016	20.25 in/515 mm	18 in/458 mm	25.67 in/653 mm
6TMH20-450	20/14.9	3	1	2	B86878	M16005	B86878N	M16017	27.75 in/705 mm	25.5 in/648 mm	33.18 in/843 mm
6TMH25-450	25/18.6	3	3		B86264	M16005	B86264N	M16017	27.75 in/705 mm	25.5 in/648 mm	33.18 in/843 mm
6TMH30-450	30/22.4	4	3	1	B86879	M16006	B86879N	M16018	35.25 in/896 mm	33 in/839 mm	40.68 in/1034 mm
6TMH40-450	40/29.8	5	5		B86880	M16007	B86880N	M16019	42.75 in/1086 mm	40.5 in/1029 mm	48.18 in/1224 mm
6TMH50-450	50/37.3	6	6		B86881	M16008	B86881N	M16020	50.25 in/1277 mm	48 in/1220 mm	55.68 in/1415 mm
6TMH60-450	60/44.7	8	6	2	B86882	M16496	B86882N	M16531	65.25 in/1658 mm	63 in/1601 mm	70.68 in/1796 mm

Note 4: Effective assembled pump diameter with cable guard lying flat against pump is 6.50 inches
 Note 5: 4" and 6" pumps use the same shaft and cable guards.
 Note 6: Cable Guard 30866000 sold in 12' (3.66m) lengths only.