

PENTAIR BERKELEY

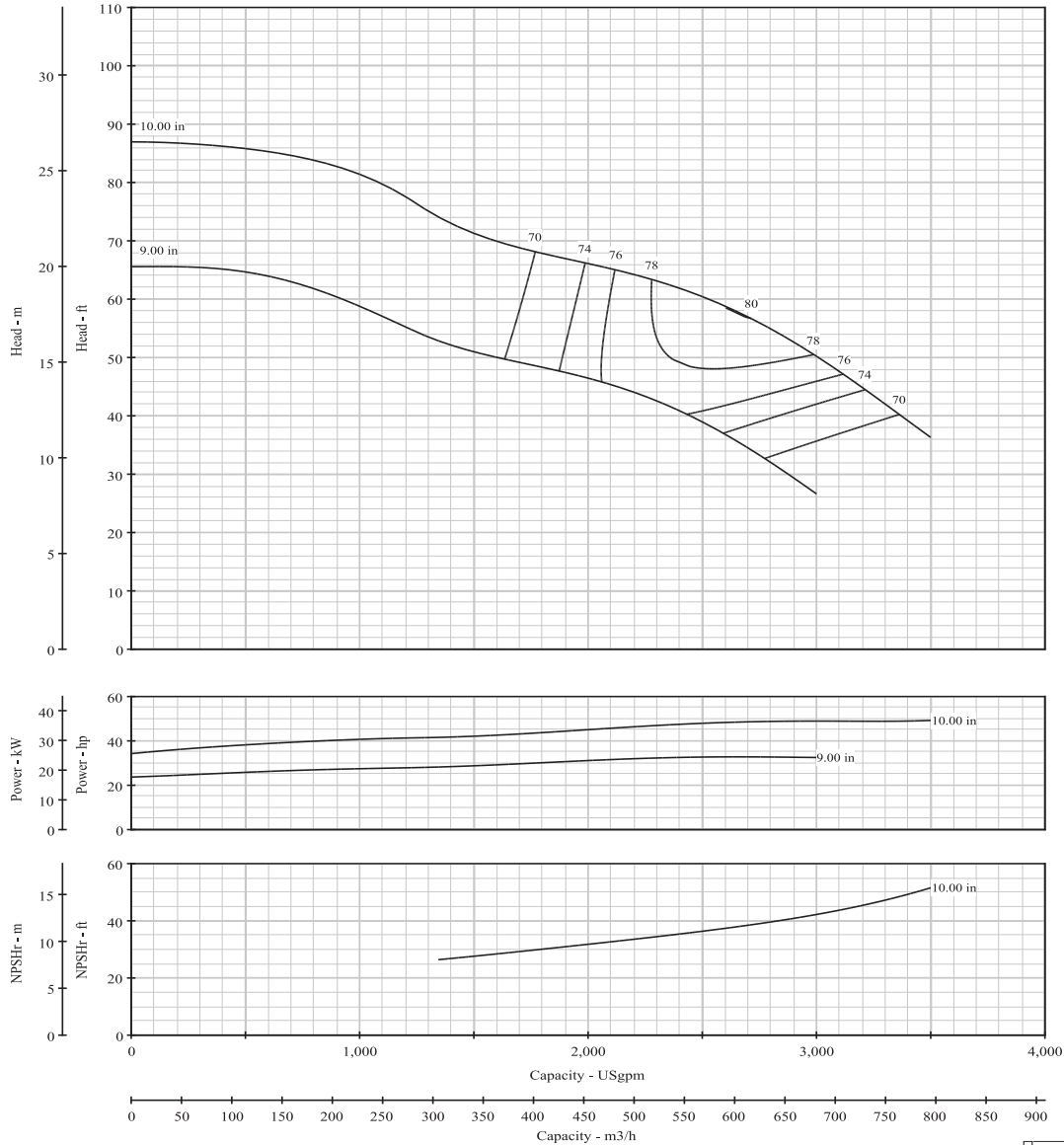
VERTICAL LINESHAFT TURBINES

PERFORMANCE CURVE

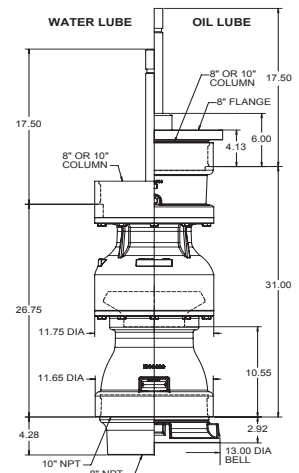
No. Stages	Eff.
1	-2
2	-1
3	0
4	0

12VT2500 CLOSED IMPELLER 1770 RPM

SINGLE STAGE LAB PERFORMANCE WITH STANDARD MATERIALS. EFFICIENCY SHOWN FOR 4 OR MORE STAGES. HORSE POWER SHOWN FOR ONE STAGE BASED ON 4 STAGE EFFICIENCY. CORRECTIONS SHOULD BE MADE FOR STAGES AND MATERIAL.



Maximum Operation Speed - RPM	1800	Maximum Sphere Size - inch	1.01
Pump Shaft Diameter - inch	1.687	Thrust Factor - Kt	10.97
Bowl Weight, 1st Stg W/L - lbs	193	WR2	1.07
Bowl Weight, 1st Stg O/L - lbs	241	Running Position (Above Seat) - inch	0.200
Bowl Weight, Ea. Add Stage - lbs	102	Submergence - inch	72
Allowable Shaft Stretch - inch	1.58	Max Bowl Brg Clearance - in. dia	0.014
Std Max Working Pressure - PSI	400	Max Wear Ring Clearance - in. dia	0.015
Optional Max Working Pressure - PSI	700	Max Bowl O.D. - inch	11.75
Impeller Eye Area - Sq. In	36.7	Suction Bell O.D. - inch	13
Rotor Weight 1st/add stages - lbs	29	Standard Max Number Stages	10
Additional Length Per Stage - inch	13.25	Optional Max Number Stages	10
Discharge Thread Column - inch	8 or 10	Suction Threads NPT - inch	8 or 10

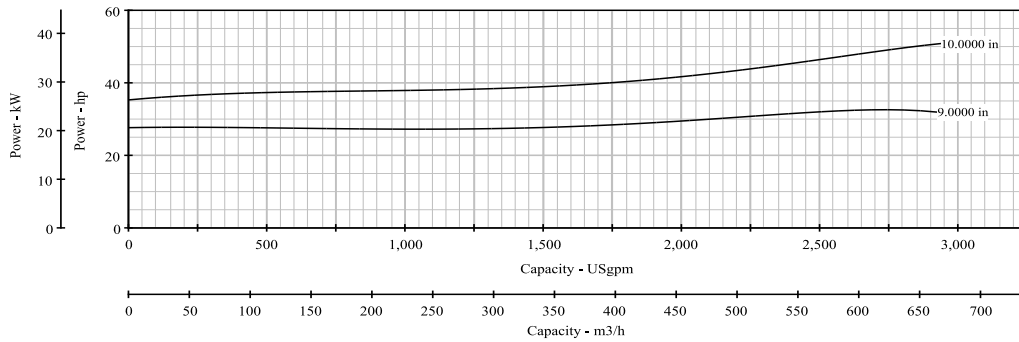
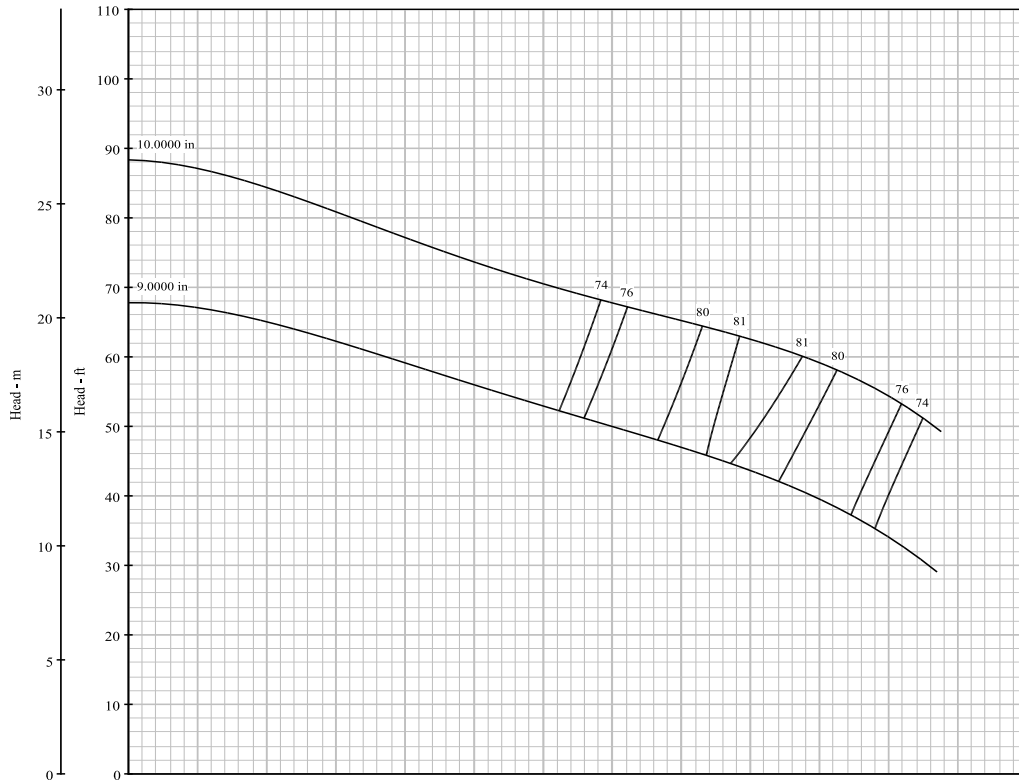


B11736BK (06-15-23)

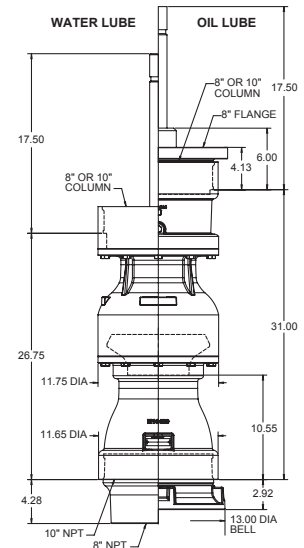
NO. STAGES	EFF.
1	-2
2	-1
3	0
4	0

12VT2500K SEMI-OPEN IMPELLER 1770 RPM

SINGLE STAGE LAB PERFORMANCE WITH STANDARD MATERIALS. EFFICIENCY SHOWN FOR 4 OR MORE STAGES. HORSE POWER SHOWN FOR ONE STAGE BASED ON 4 STAGE EFFICIENCY. CORRECTIONS SHOULD BE MADE FOR STAGES AND MATERIAL.



Maximum Operation Speed - RPM	1800	Maximum Sphere Size - inch	1.01
Pump Shaft Diameter - inch	1.687	Thrust Factor - Kt	13.16
Bowl Weight, 1st Stg W/L - lbs	193	WR ²	0.41
Bowl Weight, 1st Stg O/L - lbs	241	Running Position (Above Seat) - inch	0.015
Bowl Weight, Ea. Add Stage - lbs	102	Submergence - inch	65
Allowable Shaft Stretch - inch	1.58	Max Bowl Brg Clearance - in. dia	0.014
Std Max Working Pressure - PSI	400	Max Wear Ring Clearance - in. dia	N/A
Optional Max Working Pressure - PSI	0	Max Bowl O.D. - inch	11.75
Impeller Eye Area - Sq. In	36.7	Suction Bell O.D. - inch	13
Rotor Weight 1st/add stages - lbs	23.1	Standard Max Number Stages	10
Additional Length Per Stage - inch	13.25	Optional Max Number Stages	0
Discharge Thread Column - inch	8 or 10	Suction Threads NPT - inch	8 or 10



293 Wright Street | Delavan, WI 53115 | pentair.com/berkeley

All indicated Pentair trademarks and logos are property of Pentair. Third party registered and unregistered trademarks and logos are the property of their respective owners. Because we are continuously improving our products and services, Pentair reserves the right to change specifications without prior notice. Pentair is an equal opportunity employer.