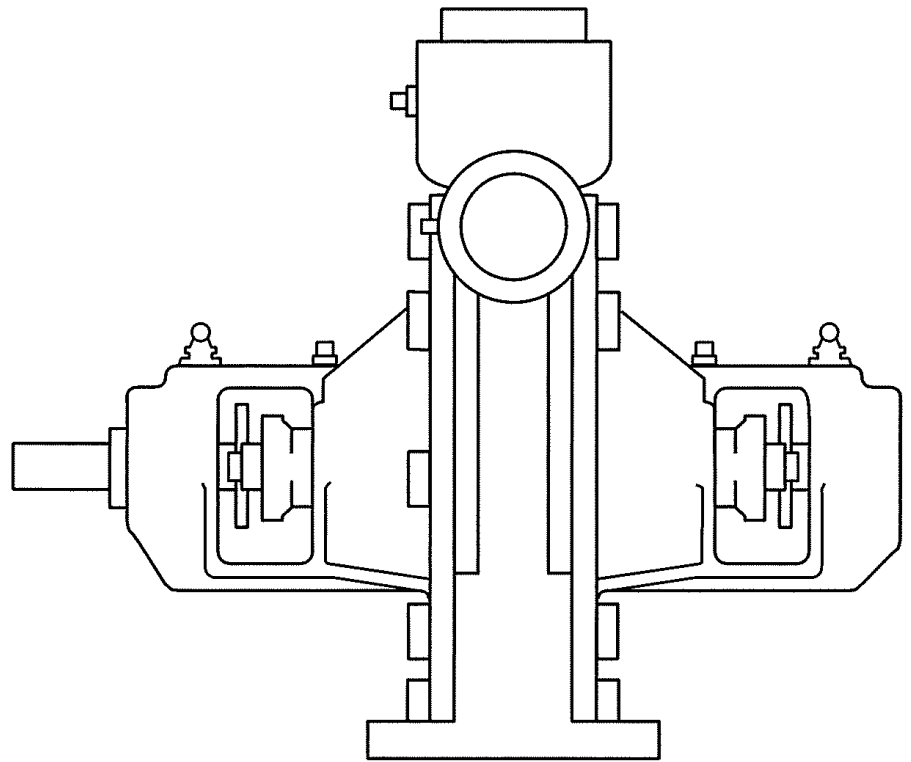




**AURORA<sup>®</sup>**



# 110A SERIES REGENERATIVE TURBINE PUMPS

## REPAIR PARTS INDEX

NOTE! Read and understand the pump and motor instructions before attempting to install, disassemble or repair the pump.

**THIS PAGE INTENTIONALLY LEFT BLANK**

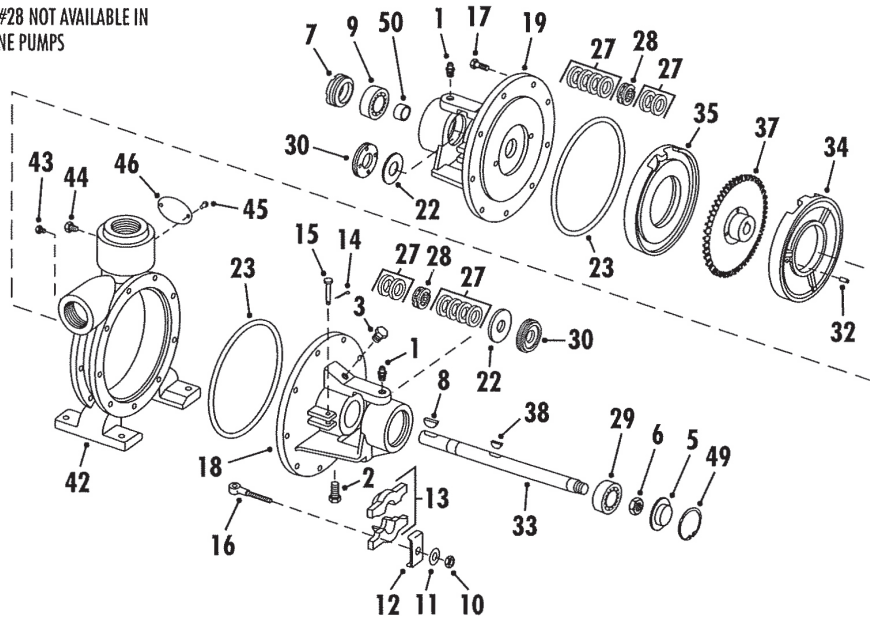
## REPAIR PARTS INDEX

Pump Model	Pump Size	Pages
114A Single Stage	A35 A4 B4 C4 D4 E4 F4 G4 H4 I4 I4A	6,7 &9
	M4 P4 R4	8 & 9
114A Two Stage	D4T E4T F4T G4T I4T I4TA	6,7 &9
115A Single Stage	D5 E5 F5 G5 H5 I5	10 & 11
	J5 K5 L5 M5 N5 P5	12 & 13
115A Two Stage	D5T E5T F5T G5T H5T I5T	10 & 11
116A Single Stage	G6 H6 J6 K6	14 & 15
116A Two Stage	D6T E6T F6T G6T H6T J6T K6T	

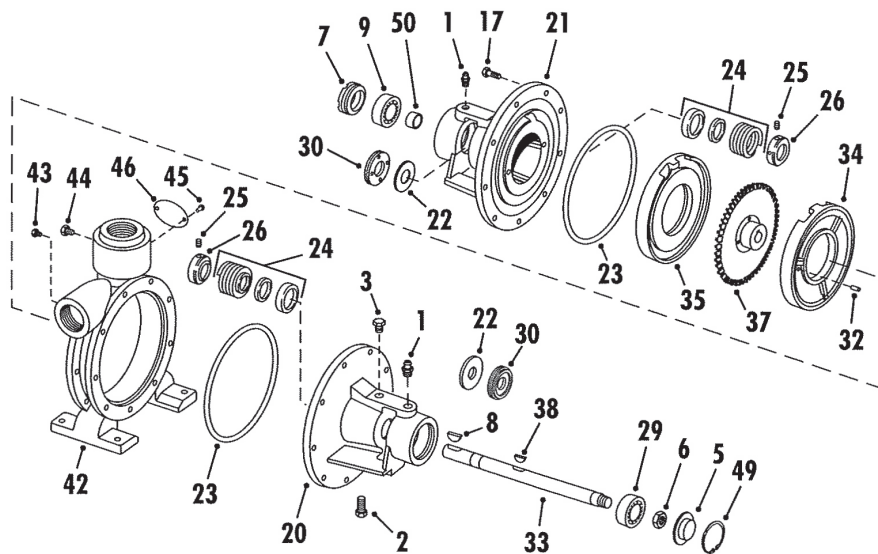
Repair parts kits for all pump sizes may be found on pages 9, 11, 13 and 15 of this manual.

**AURORA® 110A SERIES**  
**MODELS 114A-115A-116A**  
**SINGLE STAGE PUMPS**  
**PIECE NUMBERS**

LANTERN RING #28 NOT AVAILABLE IN  
4 SERIES TURBINE PUMPS



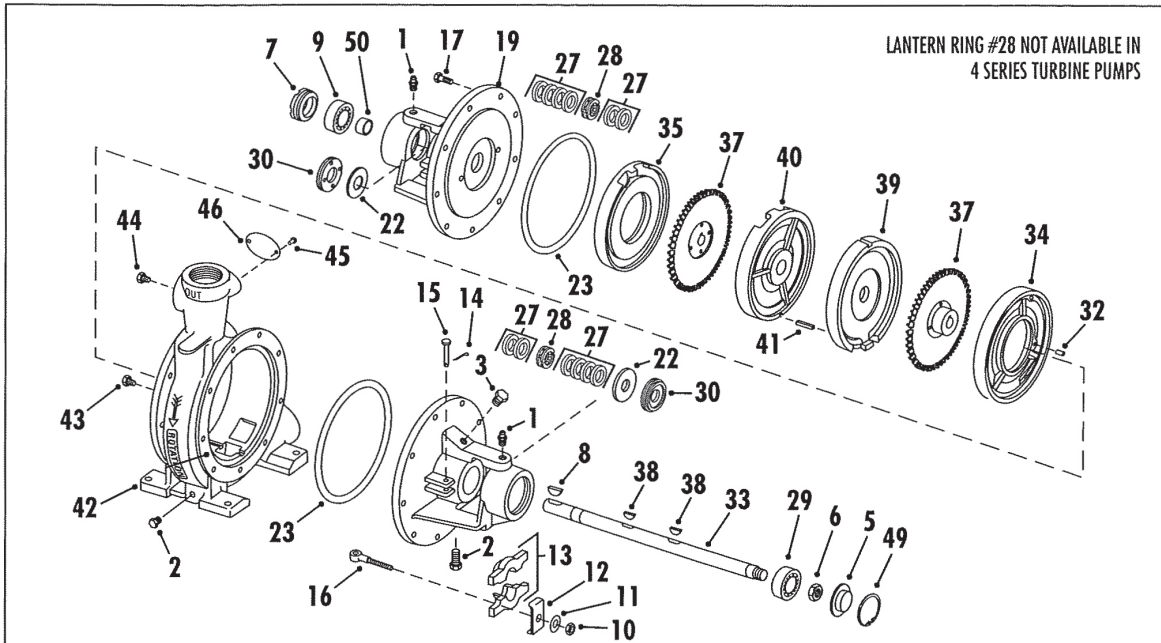
**SINGLE STAGE WITH PACKING**



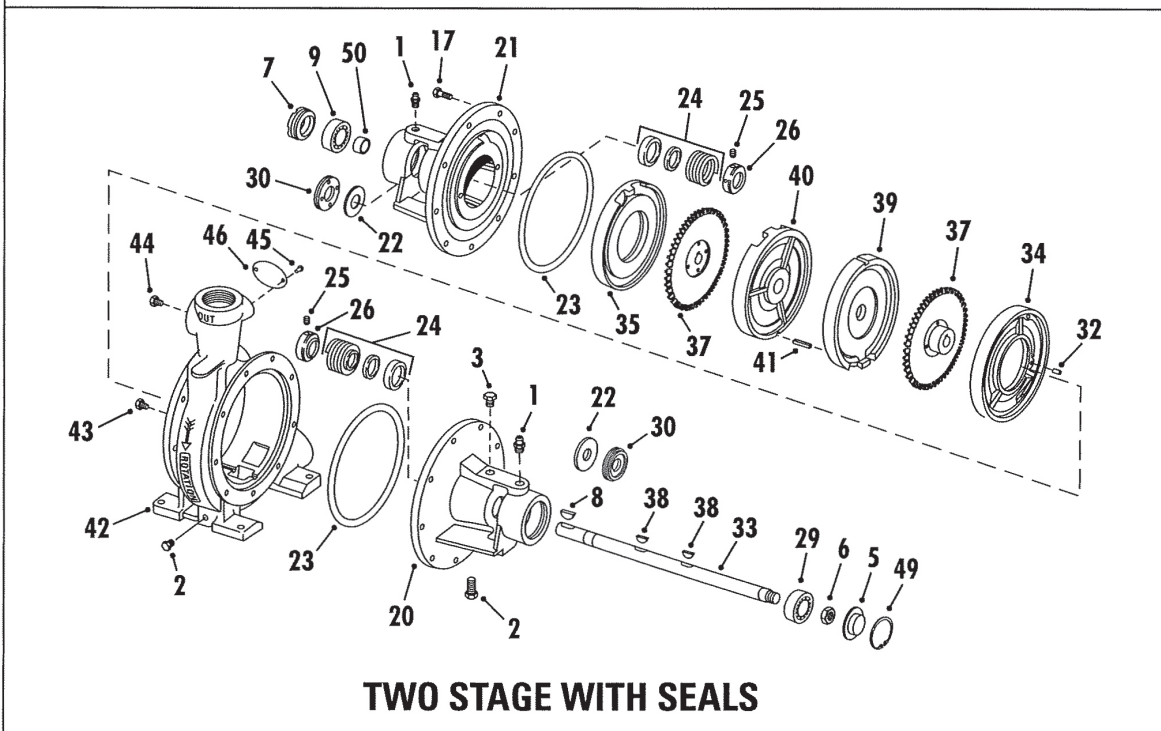
**SINGLE STAGE WITH SEALS**

**AURORA® 110A SERIES**  
**MODELS 114A-115A-116A**  
**TWO STAGE PUMPS**  
**PIECE NUMBERS**

SECTION 110P PAGE 5  
 DATED **SEPTEMBER 2014**  
 SUPERSEDES 110P PAGE 5  
 DATED APRIL 2001



**TWO STAGE WITH PACKING**



**TWO STAGE WITH SEALS**

**AURORA® 110A SERIES**  
**MODELS 114A**  
**A35-14A AND D4T-14TA**  
**PARTS LIST**

PC. NO.	DESCRIPTION	QTY.	PART NO.	MATERIAL			
				B.F.	A.B.	A.I.	
1	Grease Fitting	2	508-0001	651	651	651	
2	Pipe Plug	2	600-0001	087	190	087	
3	Pipe Plug	2	600-0001	087	190	087	
5	Outboard Retainer	1	672-0040	500	500	500	
6	Jam Nut	1	544-0308	080	080	080	
7	Inboard Retainer	1	672-0041	500	500	500	
8	Coupling Key	1	472-0003	087	087	087	
9	Ball Bearing	1	068-1903	647	647	647	
10	Gland Nut (See 16A)	4	544-0105		190	080	
11	Gland Washer (See 16A)	4	908-0062		190	360	
12	Gland Clamp		Not Required				
13	Gland	2	372-0208	662	660	661	
14	Cotter Pin	4	592-0405	087	087	087	
15	Clevis Pin	4	592-0452	360	360	360	
16	Swing Bolt	4	100-2015		190	360	
16A	Swing Bolt Assy. (10,11,16)	4	099-0001	644		644	
17	Capscrew	16	168-0256	082	190	082	
18	Packing Cover, RH	1	260-5095	010	208	010	
19	Packing Cover, LH	1	260-5096	010	208	010	
20	Seal Cover, RH	1	260-5093	010	208	010	
21	Seal Cover, LH	1	260-5094	010	108	010	
22	Water Slinger	2	764-1000	478	478	478	
23	Cover Gasket	2	364-1198	478	478	478	
24	Mechanical Seal	2	712-6444	753		753	
		2	712-0703		764		
25	Setscrew	4	724-0077	113	113	113	
26	Drive Collar	2	224-0083	208	208	087	
27	Packing	8	564-0026	802	802	802	
29	Ball Bearing	1	068-0151	647	647	647	
30	Bore Retainer	2	672-0042	500	500	500	
32	Cover Lock Pin	2	592-0632	104	104	104	
33	Shaft A35-I4A*	1	728-7258	629	629	629	
	Shaft D4T-I4TA*	1	728-7259	629	629	629	
34	Channel Ring	A35	1	676-1392	370	208	370
		A4	1	676-1358	370	208	370
		B4	1	676-1360	370	208	370
		C4	1	676-1362	370	208	370
		D4	1	676-1364	370		370
		D4	1	676-1686		208	
		E4	1	676-1366	010	208	010
		F4	1	676-1368	010	208	010
		G4	1	676-1370	010	208	010
		H4	1	676-1372	010	208	010
		I4	1	676-1374	010	208	010
		I4A	1	676-1378	010	208	010

PC. NO.	DESCRIPTION	QTY.	PART NO.	MATERIAL					
				B.F.	A.B.	A.I.			
35	Channel Ring	A35	1	676-1393	370	208	370		
		A4	1	676-1359	370	208	370		
		B4	1	676-1361	370	208	370		
		C4	1	676-1363	370	208	370		
		D4	1	676-1365	370		370		
		D4	1	686-1687		208			
		E4	1	676-1367	010	208	010		
		F4	1	676-1369	010	208	010		
		G4	1	676-1371	010	208	010		
		H4	1	676-1373	010	208	010		
		I4	1	676-1375	010	208	010		
		I4A	1	676-1379	010	208	010		
		37	Impeller	A35	*	444-0786	199	199	053
				A4	*	444-0784	199	199	053
B4	*			444-0786	199	199	053		
C4	*			444-0788	199	199	053		
D4-D4T	*			444-0790	199	199	053		
E4-E4T	*			444-0792	199	199	053		
F4-F4T	*			444-0794	199	199	053		
G4-G4T	*			444-0796	199	199	053		
H4	*			444-0798	199	199	053		
I4-I4T	*			444-0800	199	199	053		
I4A-I4TA	*			444-0802	199	199	053		
*A35-I4A – ONE REQUIRED (SINGLE STAGE)									
*D4T-I4TA – TWO REQUIRED (TWO STAGE)									
38	Impeller Key	*	472-0105	100	100	100			
39	Spacer (Part of Pc. No. 40)								

\*Includes shaft and tolerance ring Pc. No. 50

**AURORA® 110A SERIES**  
**MODELS 114A**  
**A35-14A AND D4T-14TA**  
**PARTS LIST**

SECTION **110P** PAGE **7**  
 DATED **SEPTEMBER 2014**  
 SUPERSEDES 110P PAGE 7  
 DATED APRIL 2001

PC. NO.	DESCRIPTION	QTY.	PART NO.	MATERIAL			
				B.F.	A.B.	A.I.	
40	Spacer	D4T	1	772-0109	370	208	370
		E4T	1	772-0110	010	208	010
		F4T	1	772-0111	010	208	010
		G4T	1	772-0112	010	208	010
		I4T	1	772-0114	010	208	010
		I4TA	1	772-0115	010	208	010
41	Spacer Key	1	472-1011	104	104	104	
42	Casing A35-I4A	1	180-0608	010	208	010	
	Casing D4T-I4TA	1	180-1854	010	208	010	
43	Pipe Plug	1	600-0002	087	190	087	
44	Pipe Plug	1	600-0002	087	190	087	
45	Nameplate Pin	2	708-0013	365	365	365	
46	Nameplate	1	532-0014	324	324	324	
49	Internal Ret. Ring	1	676-2092	088	088	088	
50	Tolerance Ring	1	676-2105	114	114	114	

NOTE: For A35-I4T and D4T-I4TA repair kits, refer to page 9.

**AURORA® 110A SERIES**  
**MODELS 114A**  
**M4-R4**  
**PARTS LIST**

PC. NO.	DESCRIPTION	QTY.	PART NO.	MATERIAL			
				B.F.	A.B.	A.I.	
1	Grease Fitting	2	508-0001	651	651	651	
2	Pipe Plug	2	600-0001	087	190	087	
3	Pipe Plug	2	600-0001	087	190	087	
5	Outboard Retainer	1	672-0056	500	500	500	
6	Jam Nut	1	544-0316	080	080	080	
7	Inboard Retainer	1	672-0049	500	500	500	
8	Coupling Key	1	472-0006	087	087	087	
9	Ball Bearing	1	068-1905	647	647	647	
10	Gland Nut (See 16A)	4	544-0105		190		
11	Washer		Not Required				
12	Gland Clamp (See 16A)	4	204-0120		190		
13	Split Gland	2	372-0097		208		
		4	372-0194	010		010	
14	Cotter Pin	4	592-0405	087	087	087	
15	Clevis Pin	4	592-0452	360	360	360	
16	Swing Bolt	4	100-2015		190		
16A	Swing Bolt Assy. (10,12,16)	4	099-0004	644		644	
17	Capscrew	16	168-0256	087	190	082	
18	Packing Cover, RH	1	260-5099	010	208	010	
19	Packing Cover, LH	1	260-5100	010	208	010	
20	Seal Cover, RH	1	260-5097	010	208	010	
21	Seal Cover, LH	1	260-5098	010	208	010	
22	Water Slinger	2	764-1002	478	478	478	
23	Cover Gasket	2	364-1198	478	478	478	
24	Mechanical Seal	2	712-0707	753	764	758	
25	Setscrew	4	724-0077	104	104	104	
26	Drive Collar	2	224-0082	208	208	087	
27	Packing	10	564-0029	802	802	802	
29	Ball Bearing	1	068-0154	647	647	647	
30	Bore Retainer	2	672-0050	500	500	500	
32	Cover Lock Pin	2	592-0632	104	104	104	
33	Shaft M4-R4*	1	728-7266	629	629	629	
34	Channel Ring	M4	1	676-1430	010	208	010
		P4	1	676-1432	010	208	010
		R4	1	676-1434	010	208	010
35	Channel Ring	M4	1	676-1431	010	208	010
		P4	1	676-1433	010	208	010
		R4	1	676-1435	010	208	010
37	Impeller	M4	1	444-2666	199	199	053
		P4	1	444-2667	199	199	053
		R4	1	444-2668	199	199	053
38	Impeller Key	1	472-0105	100	100	100	
42	Casing M4-R4	1	180-1853	010	208	010	
43	Pipe Plug	1	600-0002	087	190	087	
44	Pipe Plug	1	600-0002	087	190	087	
45	Nameplate Pin	2	708-0013	365	365	365	
46	Nameplate	1	532-0014	324	324	324	
49	Internal Ret. Ring	1	676-2093	088	088	088	
50	Tolerance Ring	1	676-2106	114	114	114	

\*Includes shaft and tolerance ring Pc. No. 50



# AURORA® 110A SERIES

## MODELS 114A

### A35-14A AND D4T-14TA

#### M4-R4

#### PARTS LIST

SECTION 110P PAGE 9  
DATED SEPTEMBER 2014

SUPERSEDES 110P PAGE 9  
DATED APRIL 2001

PC. NO.	DESCRIPTION	QTY.	PART NO.	MATERIAL			
				B.F.	A.B.	A.I.	B.R.
	Repair Parts Kit The following kits include piece numbers: 5, 6, 7, 8, 9, 22, 23, 29, 30, 32, 33, 34, 35, 37, 38, 39, 40, 41, 49, 50 Packed pump kits also include piece numbers: 10, 12, 13, 14, 15, 16, 27 Mechanical Seal Kits also include piece numbers: 24, 25, 26						
	Kits with Packing	A35	476-0485	644	643	642	554
		A4	476-0486	644	643	642	554
		B4	476-0487	644	643	642	554
		C4	476-0488	644	643	642	554
		D4	476-0489	644	643	642	554
		E4	476-0490	644	643	642	554
		F4	476-0491	644	643	642	554
		G4	476-0492	644	643	642	554
		H4	476-0493	644	643	642	554
		I4	476-0494	644	643	642	554
		I4A	476-0495	644	643	642	554
		M4	476-0496	644	643	642	554
		P4	476-0497	644	643	642	554
		R4	476-0498	644	643	642	554
		D4T	476-0499	644	643	642	554
		E4T	476-0500	644	643	642	554
		F4T	476-0501	644	643	642	554
		G4T	476-0502	644	643	642	554
		I4T	476-0503	644	643	642	554
		I4TA	476-0504	644	643	642	554
	Kits with Mechanical Seals	A35S	476-0525	644	643	642	554
		A4S	476-0526	644	643	642	554
		B4S	476-0527	644	643	642	554
		C4S	476-0528	644	643	642	554
		D4S	476-0529	644	643	642	554
		E4S	476-0530	644	643	642	554
		F4S	476-0531	644	643	642	554
		G4S	476-0532	644	643	642	554
		H4S	476-0533	644	643	642	554
		I4S	476-0534	644	643	642	554
		I4AS	476-0535	644	643	642	554
		M4S	476-0536	644	643	642	554
		P4S	476-0537	644	643	642	554
		R4S	476-0538	644	643	642	554
		D4TS	476-0539	644	643	642	554
		E4TS	476-0540	644	643	642	554
		F4TS	476-0541	644	643	642	554
		G4TS	476-0542	644	643	642	554
		I4TS	476-0543	644	643	642	554
		I4TAS	476-0544	644	643	642	554

## AURORA® 110A SERIES

## MODELS 115A

## D5-15 AND D5T-15T

## PARTS LIST

PC. NO.	DESCRIPTION	QTY.	PART NO.	MATERIAL			
				B.F.	A.B.	A.I.	
1	Grease Fitting	2	508-0001	651	651	651	
2	Pipe Plug	2	600-0001	087	190	087	
3	Pipe Plug	2	600-0001	087	190	087	
5	Outboard Retainer	1	672-0048	500	500	500	
6	Jam Nut	1	544-0316	080	080	080	
7	Inboard Retainer	1	672-0049	500	500	500	
8	Coupling Key	1	472-0006	087	087	087	
9	Ball Bearing	1	068-1905	647	647	647	
10	Gland Nut (See 16A)	4	544-0107		190		
11	Washer		Not Required				
12	Gland Clamp (See 16A)	4	204-0120		190		
13	Split Gland	2	372-0097		208		
		4	372-0194	010		010	
14	Cotter Pin	4	592-0405	087	087	087	
15	Clevis Pin	4	592-0457	360	360	360	
16	Swing Bolt	4	100-0216		190		
16A	Swing Bolt Assy. (10,12,16)	4	099-0002	644		644	
17	Capscrew	18	168-0380	082	190	082	
18	Packing Cover, RH	1	260-5104	010	208	010	
19	Packing Cover, LH	1	260-5103	010	208	010	
20	Seal Cover, RH	1	260-5102	010	208	010	
21	Seal Cover, LH	1	260-5101	010	208	010	
22	Water Slinger	2	764-1002	478	478	478	
23	Cover Gasket	2	364-1063	478	478	478	
24	Mechanical Seal	2	712-0707	753	764	758	
25	Setscrew	4	724-0077	104	104	104	
26	Drive Collar	2	224-0082	208	208	087	
27	Packing	14	564-0029	802	802	802	
28	Lantern Ring	2	676-1476	512	512	512	
29	Ball Bearing	1	068-0154	647	647	647	
30	Bore Retainer	2	672-0050	500	500	500	
32	Cover Lock Pin	2	592-0632	104	104	104	
33	Shaft D5-I5*	1	728-7260	629	629	629	
	Shaft D5T-I5T*	1	728-7261	629	629	629	
34	Channel Ring	D5	1	676-1322	010	208	010
		E5	1	676-1323	010	208	010
		F5	1	676-1326	010	208	010
		G5	1	676-1328	010	208	010
		H5	1	676-1330	010	208	010
		I5	1	676-1317	010	208	010

PC. NO.	DESCRIPTION	QTY.	PART NO.	MATERIAL			
				B.F.	A.B.	A.I.	
35	Channel Ring	D5	1	676-1321	010	208	010
		E5	1	676-1324	010	208	010
		F5	1	676-1325	010	208	010
		G5	1	676-1327	010	208	010
		H5	1	676-1329	010	208	010
		I5	1	686-1318	010	208	010
37	Impeller	D5-D5T	*	444-1701	199	199	053
		E5-E5T	*	444-1701	199	199	053
		F5-F5T	*	444-1702	199	199	053
		G5-G5T	*	444-1703	199	199	053
		H5-H5T	*	444-1704	199	199	053
		I5-I5T	*	444-1704	199	199	053
				*D5-I5 – ONE REQUIRED (SINGLE STAGE)			
				*D5T-I5T – TWO REQUIRED (TWO STAGE)			
38	Impeller Key		*	472-0108	100	100	100
39	Spacer	D5T	1	772-0080	010	208	010
		E5T	1	772-0084	010	208	010
		F5T	1	772-0092	010	208	010
		G5T	1	772-0096	010	208	010
		H5T	1	772-0072	010	208	010
		I5T	1	772-0076	010	208	010
40	Spacer	D5T	1	772-0078	010	208	010
		E5T	1	772-0082	010	208	010
		F5T	1	772-0090	010	208	010
		G5T	1	772-0094	010	208	010
		H5T	1	772-0070	010	208	010
		I5T	1	772-0074	010	208	010
41	Spacer Key		1	472-1011	113	113	113
42	Casing D5-I5		1	180-1855	010	208	010
	Casing D5T-I5T		1	180-1857	010		010
			1	180-0570		208	
43	Pipe Plug		1	600-0002	087	190	087
44	Pipe Plug		1	600-0002	087	190	087
45	Nameplate Pin		1	708-0013	365	365	365
46	Nameplate		2	532-0014	324	324	324
49	Int. Ret. Ring		1	676-2093	088	088	088
50	Tolerance Ring		1	676-2106	114	114	114

\*Includes shaft and tolerance ring Pc. No. 50

**AURORA® 110A SERIES**  
**MODELS 115A**  
**D5-15 AND D5T-15T**  
**PARTS LIST**

SECTION **110P** PAGE **11**  
 DATED **SEPTEMBER 2014**  
 SUPERSEDES 110P PAGE 11  
 DATED APRIL 2001

PC. NO.	DESCRIPTION	QTY.	PART NO.	MATERIAL			
				B.F.	A.B.	A.I.	B.R.
	Repair Parts Kit The following kits include piece numbers: 5, 6, 7, 8, 9, 22, 23, 29, 30, 32, 33, 34, 35, 37, 38, 39, 40, 41, 49, 50 Packed pump kits also include piece numbers: 10, 12, 13, 14, 15, 16, 27 Mechanical Seal Kits also include piece numbers: 24, 25, 26						
	Kits with Packing	D5	476-0474	644	643	642	554
		E5	476-0475	644	643	642	554
		F5	476-0473	644	643	642	554
		G5	476-0476	644	643	642	554
		H5	476-0477	644	643	642	554
		I5	476-0478	644	643	642	554
		D5T	476-0479	644	643	642	554
		E5T	476-0480	644	643	642	554
		F5T	476-0481	644	643	642	554
		G5T	476-0482	644	643	642	554
		H5T	476-0483	644	643	642	554
		I5T	476-0484	644	643	642	554
	Kits with Mechanical Seals	D5S	476-0545	644	643	642	554
		E5S	476-0546	644	643	642	554
		F5S	476-0547	644	643	642	554
		G5S	476-0548	644	643	642	554
		H5S	476-0549	644	643	642	554
		I5S	476-0550	644	643	642	554
		D5TS	476-0557	644	643	642	554
		E5TS	476-0558	644	643	642	554
		F5TS	476-0559	644	643	642	554
		G5TS	476-0560	644	643	642	554
		H5TS	476-0561	644	643	642	554
		I5TS	476-0562	644	643	642	554



## AURORA® 110A SERIES

## MODELS 115A

## J5-P5

## PARTS LIST

PC. NO.	DESCRIPTION	QTY.	PART NO.	MATERIAL		
				B.F.	A.B.	A.I.
1	Grease Fitting	2	508-0001	651	651	651
2	Pipe Plug	2	600-0001	087	190	087
3	Pipe Plug	2	600-0001	087	190	087
5	Outboard Retainer	1	672-0059	500	500	500
6	Jam Nut	1	544-0318	080	080	080
7	Inboard Retainer	1	672-0060	500	500	500
8	Coupling Key	1	472-0011	087	087	087
9	Ball Bearing	1	068-1906	647	647	647
10	Gland Nut (See 16A)	4	544-0107		190	
11	Washer		Not Required			
12	Gland Clamp (See 16A)	4	204-0120		190	
13	Split Gland	2	372-0095		208	
		4	372-0195	010		010
14	Cotter Pin	4	592-0405	087	087	087
15	Clevis Pin	4	592-0457	360	360	360
16	Swing Bolt	4	100-0216		190	
16A	Swing Bolt Assy. (10,12,16)	4	099-0002	644		644
17	Capscrew	18	168-0380	082	190	082
18	Packing Cover, RH	1	260-5108	010	208	010
19	Packing Cover, LH	1	260-5107	010	208	010
20	Seal Cover, RH	1	260-5109	010	208	010
21	Seal Cover, LH	1	260-5110	010	208	010
22	Water Slinger	2	764-1004	478	478	478
23	Cover Gasket	2	364-1063	478	478	478
24	Mechanical Seal	2	712-6452	753	764	758
25	Setscrew	4	724-0077	104	104	104
26	Drive Collar	2	224-0227	208	208	087
27	Packing	14	564-0051	802	802	802
28	Lantern Ring	2	676-1114	512	512	512
29	Ball Bearing	1	068-0155	647	647	647
30	Bore Retainer	2	672-0061	500	500	500
32	Cover Lock Pin	2	592-0632	104	104	104
33	Shaft J5-P5*	1	728-7267	629	629	629

PC. NO.	DESCRIPTION	QTY.	PART NO.	MATERIAL			
				B.F.	A.B.	A.I.	
34	Channel Ring	J5	1	676-1333	010	208	010
		K5	1	676-1335	010	208	010
		L5	1	676-1337	010	208	010
		M5	1	676-1386	010	208	010
		N5	1	676-1388	010	208	010
		P5	1	676-1390	010	208	010
35	Channel Ring	J5	1	676-1332	010	208	010
		K5	1	676-1334	010	208	010
		L5	1	676-1336	010	208	010
		M5	1	676-1387	010	208	010
		N5	1	676-1389	010	208	010
		P5	1	686-1391	010	208	010
37	Impeller	J5	1	444-2671	199	199	053
		K5	1	444-2670	199	199	053
		L5	1	444-2675	199	199	053
		M5	1	444-2674	199	199	053
		N5	1	444-2673	199	199	053
		P5	1	444-2672	199	199	053
38	Impeller Key	1	472-0112	100	100	100	
42	Casing J5-P5		1	180-1856	010		010
			1	180-0448		208	
43	Pipe Plug	1	600-0002	087	190	087	
44	Pipe Plug	1	600-0002	087	190	087	
45	Nameplate Pin	2	708-0013	365	365	365	
46	Nameplate	1	532-0014	324	324	324	
49	Int. Ret. Ring	1	676-2094	088	088	088	
50	Tolerance Ring	1	676-2107	114	114	114	

\*Includes shaft and tolerance ring Pc. No. 50

**AURORA® 110A SERIES**  
**MODELS 115A**  
**J5-P5**  
**PARTS LIST**

SECTION **110P** PAGE **13**  
 DATED **SEPTEMBER 2014**  
 SUPERSEDES 110P PAGE 13  
 DATED APRIL 2001

PC. NO.	DESCRIPTION	QTY.	PART NO.	MATERIAL			
				B.F.	A.B.	A.I.	B.R.
	Repair Parts Kit The following kits include piece numbers: 5, 6, 7, 8, 9, 22, 23, 29, 30, 32, 33, 34, 35, 37, 38, 39, 40, 41, 49, 50 Packed pump kits also include piece numbers: 10, 12, 13, 14, 15, 16, 27 Mechanical Seal Kits also include piece numbers: 24, 25, 26						
	Kits with Packing	J5	476-0506	644	643	642	554
		K5	476-0507	644	643	642	554
		L5	476-0508	644	643	642	554
		M5	476-0509	644	643	642	554
		N5	476-0510	644	643	642	554
		P5	476-0511	644	643	642	554
	Kits with Mechanical Seals	J5S	476-0551	644	643	642	554
		K5S	476-0552	644	643	642	554
		L5S	476-0553	644	643	642	554
		M5S	476-0554	644	643	642	554
		N5S	476-0555	644	643	642	554
		P5S	476-0556	644	643	642	554

**AURORA® 110A SERIES**  
**MODELS 116A**  
**D6-K6 AND D6T-K6T**  
**PARTS LIST**

PC. NO.	DESCRIPTION	QTY.	PART NO.	MATERIAL			
				B.F.	A.B.	A.I.	
1	Grease Fitting	2	508-0001	651	651	651	
2	Pipe Plug	2	600-0001	087	190	087	
3	Pipe Plug	2	600-0001	087	190	087	
5	Outboard Retainer	1	672-0053	500	500	500	
6	Jam Nut	1	544-0320	080	080	080	
7	Inboard Retainer	1	672-0054	500	500	500	
8	Coupling Key	1	472-0013	087	087	087	
9	Ball Bearing	1	068-1907	647	647	647	
10	Gland Nut (See 16A)	4	544-0109		190		
11	Washer			Not Required			
12	Gland Clamp (See 16A)	4	204-0120		190		
13	Split Gland	2	372-0104		208		
		4	372-0159	010		010	
14	Cotter Pin	4	592-0405	087	087	087	
15	Clevis Pin	4	592-0462	360	360	360	
16	Swing Bolt	4	100-0210		190		
16A	Swing Bolt Assy. (10,12,16)	4	099-0003	644		664	
17	Capscrew	20	168-0488	082	190	082	
18	Packing Cover, RH	1	260-5106	010	208	010	
19	Packing Cover, LH	1	260-5106	010	208	010	
20	Seal Cover, RH	1	260-5105	010	208	010	
21	Seal Cover, LH	1	260-5105	010	208	010	
22	Water Slinger	2	764-1005	478	478	478	
23	Cover Gasket	2	364-1065	478	478	478	
24	Mechanical Seal	2	712-0713	753	764	758	
25	Setscrew	4	724-0077	104	104	104	
26	Drive Collar	2	224-0084	208	208	087	
27	Packing	16	564-0064	802	802	802	
28	Lantern Ring	2	676-1471	512	512	512	
29	Ball Bearing	1	068-0156	647	647	647	
30	Bore Retainer	2	672-0055	500	500	500	
32	Cover Lock Pin	2	592-0632	104	104	104	
33	Shaft G-H-J-K6*	1	728-7264	629	629	629	
	Shaft D-E-F6T*	1	728-7263	629	629	629	
	Shaft G-H-J-K6T*	1	728-7265	629	629	629	
34	Channel Ring	D6T	1	676-1406	010	208	010
		E6T	1	676-1408	010	208	010
		F6T	1	676-1402	010	208	010
		G6-G6T	1	676-0239	010		010
		G6-G6T	1	676-1410		208	
		H6-H6T	1	676-0241	010		010
		H6-H6T	1	676-1412		208	
		J6-J6T	1	676-0243	010		010
		J6-J6T	1	676-1414		208	
		K6-K6T	1	676-0245	010		010
		K6-K6T	1	676-1404		208	
35	Channel Ring	D6T	1	676-1407	010	208	010
		E6T	1	676-1409	010	208	010
		F6T	1	676-1403	010	208	010
		G6-G6T	1	676-0240	010		010
		G6-G6T	1	676-1411		208	
		H6-H6T	1	676-0242	010		010
		H6-H6T	1	676-1413		208	
		J6-J6T	1	676-0244	010		010
		J6-J6T	1	676-1415		208	
		K6-K6T	1	676-0246	010		010
		K6-K6T	1	676-1405		208	

PC. NO.	DESCRIPTION	QTY.	PART NO.	MATERIAL				
				B.F.	A.B.	A.I.		
37	Impeller	D6T	*	444-0737	199	199	053	
		E6T	*	444-0729	199	199	053	
		F6T	*	444-0727	199	199	053	
		G6-G6T	*	444-0731	199	199	053	
		H6-H6T	*	444-0733	199	199	053	
		J6-J6T	*	444-0735	199	199	053	
		K6-K6T	*	444-0774	199	199	053	
	*D6-K6 – ONE REQUIRED (SINGLE STAGE)							
	*D6T-K6T – TWO REQUIRED (TWO STAGE)							
38	Impeller Key		*	472-0115	100	100	100	
39	Spacer	D6T	1	772-0051	010	208	010	
		E6T	1	772-0054	010	208	010	
		F6T	1	772-0049	010	208	010	
		G6T	1	772-0217	010		010	
		G6T		NOT REQUIRED IN AB				
		H6T	1	772-0219	010		010	
		H6T		NOT REQUIRED IN AB				
		J6T	1	772-0221	010		010	
		J6T		NOT REQUIRED IN AB				
		K6T	1	772-0223	010		010	
		K6T		NOT REQUIRED IN AB				

\*Includes shaft and tolerance ring Pc. No. 50

# AURORA® 110A SERIES

## MODELS 116A D6-K6 AND D6T-K6T

### PARTS LIST

SECTION 110P PAGE 15

DATED SEPTEMBER 2014

SUPERSEDES 110P PAGE 15

DATED APRIL 2001

PC. NO.	DESCRIPTION	QTY.	PART NO.	MATERIAL			
				B.F.	A.B.	A.I.	
40	Spacer	D6T	1	772-0052	010	208	010
		E6T	1	772-0053	010	208	010
		F6T	1	772-0050	010	208	010
		G6T	1	772-0128		208	
		G6T	1	772-0218	010		010
		H6T	1	772-0127		208	
		H6T	1	772-0220	010		010
		J6T	1	772-0126		208	
		J6T	1	772-0222	010		010
		K6T	1	772-0125		208	
K6T	1	772-0224	010		010		
40	Spacer Key	1	472-1013	104	104	104	
	Casing G-H-J-K6		1	180-1859	010		010
			1	180-0453		208	
	Casing D-E-F6T	1	180-1861	010	208	010	
	Casing G-H-J-K6T	1	180-1860	010	208	010	
43	Pipe Plug	1	600-0002	087	190	087	
44	Pipe Plug	1	600-0002	087	190	087	
45	Nameplate Pin	2	708-0013	365	365	365	
46	Nameplate	1	532-0014	324	324	324	
49	Int. Ret. Ring	1	676-2095	088	088	088	
50	Tolerance Ring	1	676-2108	114	114	114	

PC. NO.	DESCRIPTION	QTY.	PART NO.	MATERIAL			
				B.F.	A.B.	A.I.	B.R.
	Repair Parts Kit						
	The following kits include piece numbers: 5, 6, 7, 8, 9, 22, 23, 29, 30, 32, 33, 34, 35, 37, 38, 39, 40, 41, 49, 50						
	Packed pump kits also include piece numbers: 10, 12, 13, 14, 15, 16, 27						
	Mechanical Seal Kits also include piece numbers: 24, 25, 26						
	Kits with Packing	G6	476-0512	644	643	642	554
		H6	476-0513	644	643	642	554
		J6	476-0514	644	643	642	554
		K6	476-0515	644	643	642	554
		D6T	476-0516	644	643	642	554
		E6T	476-0517	644	643	642	554
		F6T	476-0518	644	643	642	554
		G6T	476-0519	644	643	642	554
		H6T	476-0520	644	643	642	554
		J6T	476-0521	644	643	642	554
		K6T	476-0522	644	643	642	554
	Kits with Mechanical Seals	G6S	476-0563	644	643	642	554
		H6S	476-0564	644	643	642	554
		J6S	476-0565	644	643	642	554
		K6S	476-0566	644	643	642	554
		D6TS	476-0567	644	643	642	554
		E6TS	476-0568	644	643	642	554
		F6TS	476-0569	644	643	642	554
		G6TS	476-0570	644	643	642	554
		H6TS	476-0571	644	643	642	554
		J6TS	476-0572	644	643	642	554
		K6TS	476-0573	644	643	642	554

## WARRANTY

Seller warrants equipment (and its component parts) of its own manufacture against defects in materials and workmanship under normal use and service for one (1) year from the date of installation or start-up, or for eighteen (18) months after the date of shipment, whichever occurs first. Seller does not warrant accessories or components that are not manufactured by Seller; however, to the extent possible, Seller agrees to assign to Buyer its rights under the original manufacturer's warranty, without recourse to Seller. Buyer must give Seller notice in writing of any alleged defect covered by this warranty (together with all identifying details, including the serial number, the type of equipment, and the date of purchase) within thirty (30) days of the discovery of such defect during the warranty period. No claim made more than 30 days after the expiration of the warranty period shall be valid. Guarantees of performance and warranties are based on the use of original equipment manufactured (OEM) replacement parts. Seller assumes no responsibility or liability if alterations, non-authorized design modifications and/or non-OEM replacement parts are incorporated. If requested by Seller, any equipment (or its component parts) must be promptly returned to Seller prior to any attempted repair, or sent to an authorized service station designated by Seller, and Buyer shall prepay all shipping expenses. Seller shall not be liable for any loss or damage to goods in transit, nor will any warranty claim be valid unless the returned goods are received intact and undamaged as a result of shipment. Repaired or replaced material returned to customer will be shipped F.O.B., Seller's factory. Seller will not give Buyer credit for parts or equipment returned to Seller, and will not accept delivery of any such parts or equipment, unless Buyer has obtained Seller's approval in writing. The warranty extends to repaired or replaced parts of Seller's manufacture for ninety (90) days or for the remainder of the original warranty period applicable to the equipment or parts being repaired or replaced, whichever is greater. This warranty applies to the repaired or replaced part and is not extended to the product or any other component of the product being repaired. Repair parts of its own manufacture sold after the original warranty period are warranted for a period of one (1) year from shipment against defects in materials and workmanship under normal use and service. This warranty applies to the replacement part only and is not extended to the product or any other component of the product being repaired. Seller may substitute new equipment or improve part(s) of any equipment judged defective without further liability. All repairs or services performed by Seller, which are not covered by this warranty, will be charged in accordance with Seller's standard prices then in effect.

THIS WARRANTY IS THE SOLE WARRANTY OF SELLER AND SELLER HEREBY EXPRESSLY DISCLAIMS AND BUYER WAIVES ALL OTHER WARRANTIES EXPRESSED, IMPLIED IN LAW OR IMPLIED IN FACT, INCLUDING ANY WARRANTIES OF MERCHANTABILITY OR FITNESS FOR A PARTICULAR PURPOSE. Seller's sole obligation under this warranty shall be, at its option, to repair or replace any equipment (or its component parts) which has a defect covered by this warranty, or to refund the purchase price of such equipment or part. Under the terms of this warranty, Seller shall not be liable for (a) consequential, collateral, special or liquidated losses or damages; (b) equipment conditions caused by normal wear and tear, abnormal conditions of use, accident, neglect, or misuse of said equipment; (c) the expense of, and loss or damage caused by, repairs or alterations made by anyone other than the Seller; (d) damage caused by abrasive materials, chemicals, scale deposits, corrosion, lightning, improper voltage, mishandling, or other similar conditions; (e) any loss, damage, or expense relating to or resulting from installation, removal or reinstallation of equipment; (f) any labor costs or charges incurred in repairing or replacing defective equipment or parts, including the cost of reinstalling parts that are repaired or replaced by Seller; (g) any expense of shipment of equipment or repaired or replacement parts; or (h) any other loss, damage or expense of any nature.

The above warranty shall not apply to any equipment which may be separately covered by any alternate or special warranties.

**PERFORMANCE:** In the absence of Certified Pump Performance Tests, equipment performance is not warranted or guaranteed. Performance curves and other information submitted to Buyer are approximate and no warranty or guarantee shall be deemed to arise as a result of such submittal. All testing shall be done in accordance with Seller's standard policy under Hydraulic Institute procedures.

**LIABILITY LIMITATIONS:** Under no circumstances shall the Seller have any liability under the Order or otherwise for liquidated damages or for collateral, consequential or special damages or for loss of profits, or for actual losses or for loss of production or progress of construction, regardless of the cause of such damages or losses. In any event, Seller's aggregate total liability under the Order or otherwise shall not exceed the contract price.

**ACTS OF GOD:** Seller shall in no event be liable for delays in delivery of the equipment or other failures to perform caused by fires, acts of God, strikes, labor difficulties, acts of governmental or military authorities, delays in transportation or procuring materials, or causes of any kind beyond Seller's control.

**COMPLIANCE WITH LAW:** Seller agrees to comply with all United States laws and regulations applicable to the manufacturing of the subject equipment. Such compliance shall include: The Fair Labor Standards Acts of 1938, as amended; Equal Employment Opportunity clauses of Executive Order 11246, as amended; Occupational Safety and Health Act of 1970 and the standards promulgated thereunder, if applicable. Since compliance with the various Federal, State, and Local laws and regulations concerning occupational health and safety, pollution or local codes are affected by the use, installation and operation of the equipment and other matters over which Seller has no control, Seller assumes no responsibility for compliance with those laws and regulations, whether by way of indemnity, warranty, or otherwise. It is incumbent upon the Buyer to specify equipment which complies with local codes and ordinances.



**AURORA®**

800 Airport Road  
North Aurora, Illinois 60542  
630-859-7000  
[www.aurorapump.com](http://www.aurorapump.com)