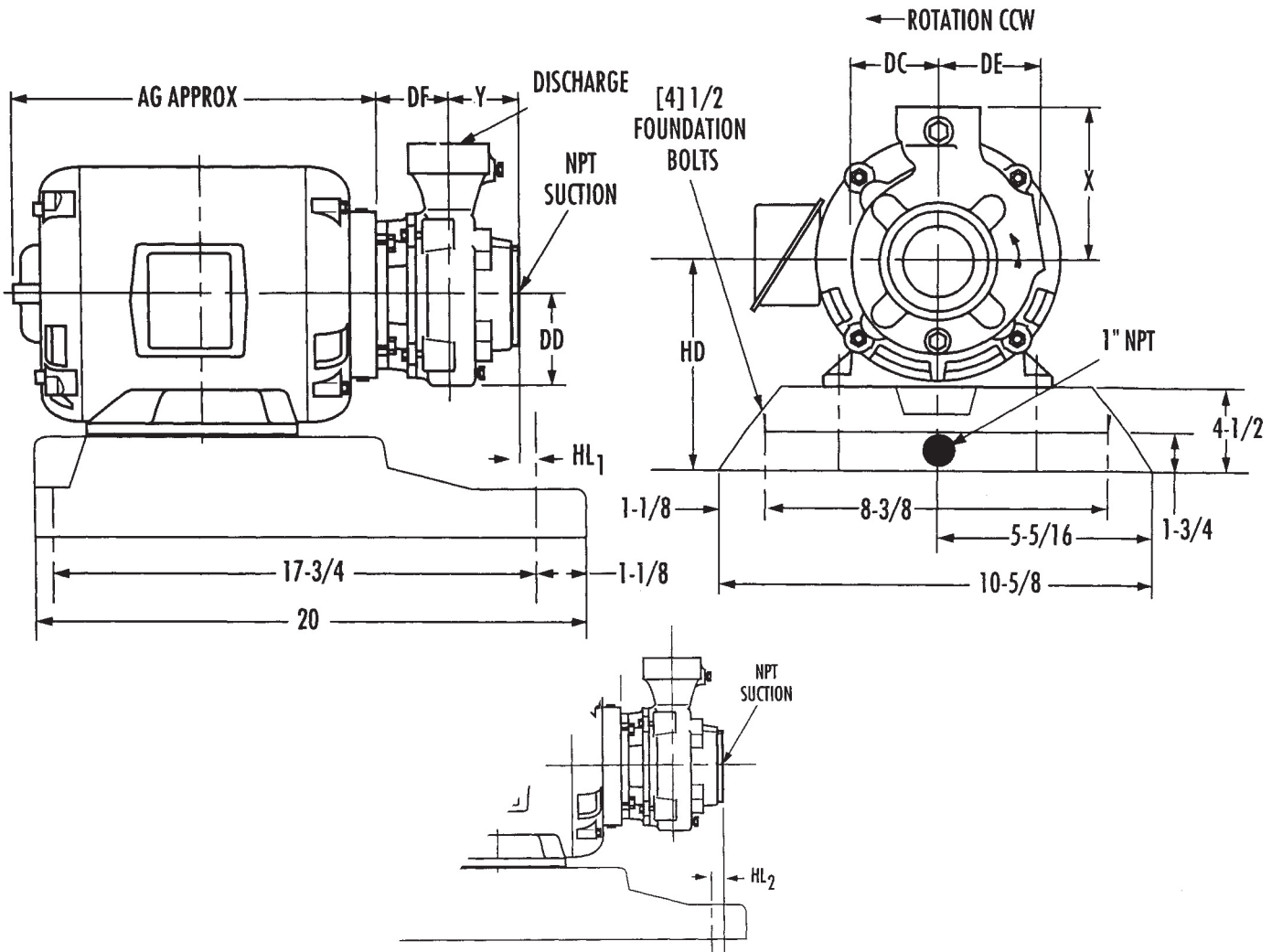


AURORA® MODEL 321 PUMPS

ON CAST IRON BASE



PUMP SIZE			X	Y	DC	DD	DE	DF	HL ₁	HL ₂
DISCH	SUCT	CASE BORE								
3/4	1	6	5-1/2	1-3/4	3-5/16	3-7/16	3-7/8	2-13/16	1-7/16	—
3/4	1	7	6-1/4	1-7/8	3-15/16	4	4-7/16	2-13/16	1-5/16	—
1	1-1/4	4	4-1/8	1-11/16	2-3/8	2-3/8	2-7/16	2-15/16	1-3/8	—
1	1-1/4	5	5	2	2-13/16	2-7/8	3	2-7/8	1-1/8	—
1	1-1/4	6	5-1/2	1-15/16	3-5/16	3-3/8	3-7/8	2-7/8	1-3/16	—
1-1/4	1-1/2	5	5	1-15/16	2-7/8	2-15/16	3-7/16	2-15/16	1-1/8	—
1-1/4	1-1/2	7A	6-1/4	2	4	4-1/16	4-1/2	2-15/16	1-1/16	—
1-1/4	1-1/2	7B	6-1/4	2-7/16	4	4-1/8	4-5/8	2-7/8	11/16	—
1-1/4	1-1/2	9	8	2-1/4	5-13/16	5-3/16	5-13/16	2-7/8	7/8	—
1-1/2	2	4	5	2-1/8	2-1/2	3	2-3/4	3-1/16	13/16	—
1-1/2	2	7	7	2-1/4	4-1/16	4-1/4	4-7/8	2-7/8	7/8	—
2	2-1/2	4	5	3-1/16	2-1/2	3	2-13/16	3-7/16	—	1/2
2	2-1/2	5	6	2-11/16	3	3-3/16	3-7/16	3-1/16	1/4	—
2	2-1/2	6	6	2-3/4	3-1/2	3-11/16	4-3/8	3	1/4	—
2	2-1/2	7	7	2-15/16	4-1/16	4-5/16	4-7/8	3-1/16	0	—
3	3	6	8	3-5/8	3-7/8	4-7/16	5-7/8	3-1/4	1/8	—

FRAME	AG	HD
56CZ	11	8
143TCZ	10	8
145TCZ	11	8
182TCZ	11	9
184TCZ	12	9

NOTES:

1. All dimensions in inches.
2. Not for construction purposes unless certified.
3. Conduit box is shown in approximate location. Capacitor when furnished normally appears on top of motor. Dimensions are not specified as they vary with each motor manufacturer.
4. Dimensions may vary ± 1/4"