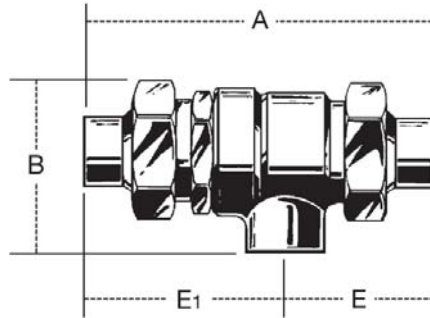


**AURORA ACCESSORIES**  
 WATTS BACKFLOW PREVENTER



MODEL	SIZE	A	B	E	E1
9D M3	1/2" NPT Female Union	4.94 (125)	2.56 (65)	1.94 (49)	2.56 (65)
9DS M3	1/2" Union End Solder	4.38 (111)	2.56 (65)	1.94 (49)	2.56 (65)
9D M2	3/4" NPT Female Union	4.50 (114)	2.56 (65)	1.94 (49)	2.56 (65)
9DS M2	3/4" Union End Solder	4.81 (122)	2.56 (65)	2.06 (52)	2.75 (70)

For systems with out anit-freeze, rust inhibitors or other chenicals. Brass body with stainless steel working parts, integral strainer and rubber discs.

**NOTES:**

1. All dimensions in inches (mm).
2. Dimensions may vary  $\pm 1/8$  (3).
3. Maximum working pressure is 175 psi (12.1 Bar).
4. Maximum working temperature 180 deg F (82 deg C)
5. ASSE standard 1012 and CSA standard B64.3 certified.
6. For additional information visit [www.wattsreg.com](http://www.wattsreg.com).