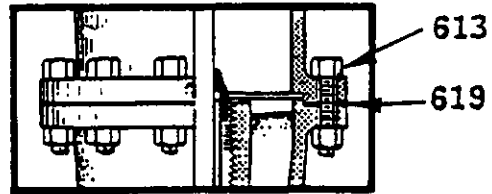
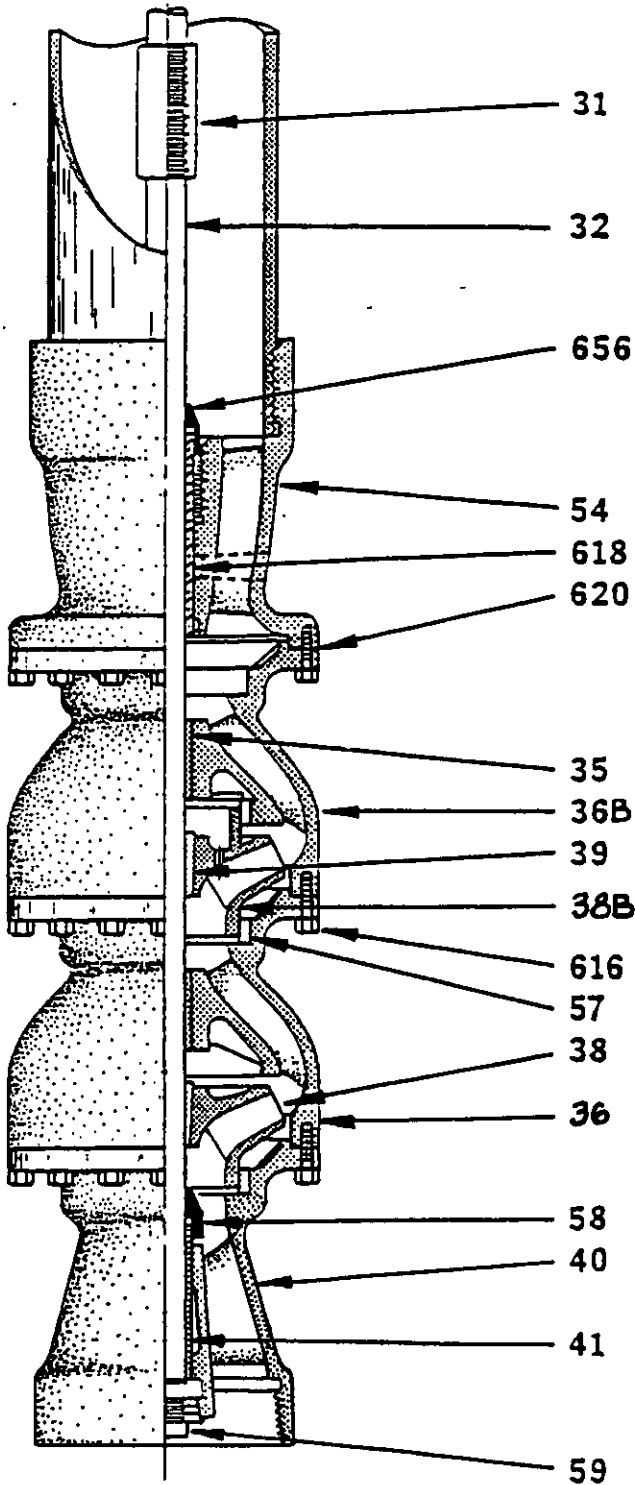




A Marine Company
LAYNE & BOWLER
 MEMPHIS, TENN. 38108

**SECTIONAL DRAWING
 PARTIAL BAL'D BOWL
 FLANGED, COLLET TYPE
 OPEN LINE SHAFT**

DWG. NO.: _____
 DATE: _____



FLANGED BOWL TO COLUMN CONDITION.

ITEM NO.	PART NAME	MATERIAL	
		STO.	OPTIONAL
660	BOWL ASSY	-----	
31	IMP. SHAFT COUPLING	STEEL	
32	IMPELLER SHAFT	416 SS	
35	BEARING, INT.	BRONZE	
36	INTERMEDIATE	C.I. CL 30	
38	IMPELLER	BRONZE	
39	COLLET	STN. STL.	
40	SUCTION CASE	C.I. CL 30	
41	BEARING, SUCTION	BRONZE	
36B	INTERMEDIATE, BALANCED	C.I. CL 30	
54	DISCHARGE CASE	C.I. CL 30	
57	WEAR RING, CASE & BAL'D	BRONZE	
58	SAND COLLAR	RUBBER	
59	SUCTION PLUG	C.I.	
613	MACH. BOLT, BOWL/COL.	STEEL	
616	CAP SCREW, BOWL	H.T. STL.	
618	BEARING, DISCH. CASE	BRONZE	
619	GASKET, BOWL/COL.	-----	
620	GASKET, BOWL	-----	
38B	IMPELLER, BALANCED	BRONZE	
656	DISCH. CASE CAP	RUBBER	