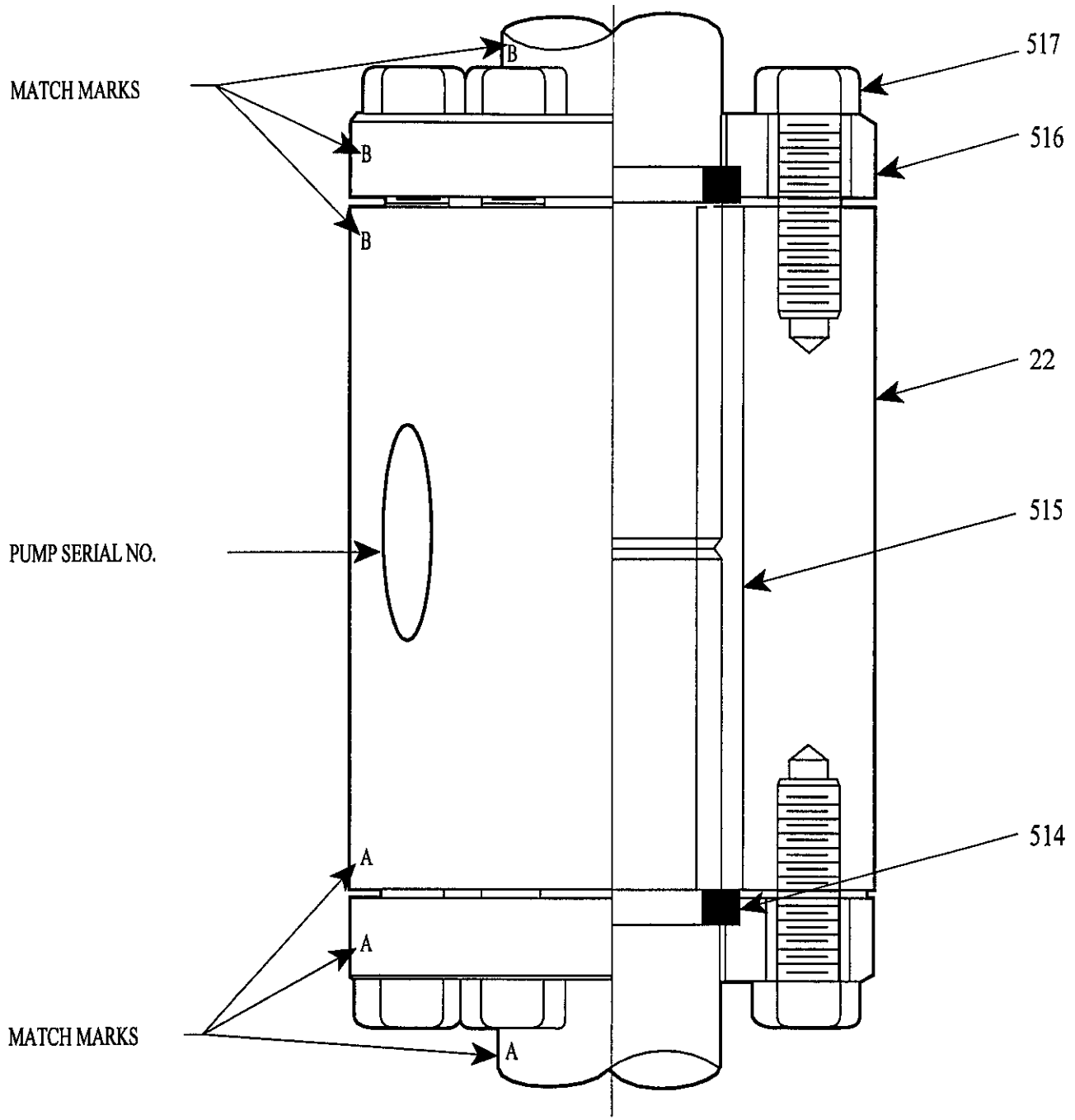




# Split Thrust Ring And Keyed Line Shaft Coupling Assembly



Item No.	Part Name	Material	
		Standard	Optional
22	Shaft Coupling	Steel	
514	Split Thrust Ring (2 REQ'D.)	Steel	
515	Key	Steel	
516	Retaining Cap (2 REQ'D.)	Steel	
517	Capscrews	Steel	

CROSS-SECTIONAL DRAWING

DRAWING NO. \_\_\_\_\_  
DATE: \_\_\_\_\_